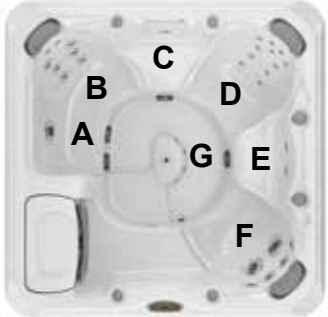


# Sundance Spas 780 Hanover™

## Specifications

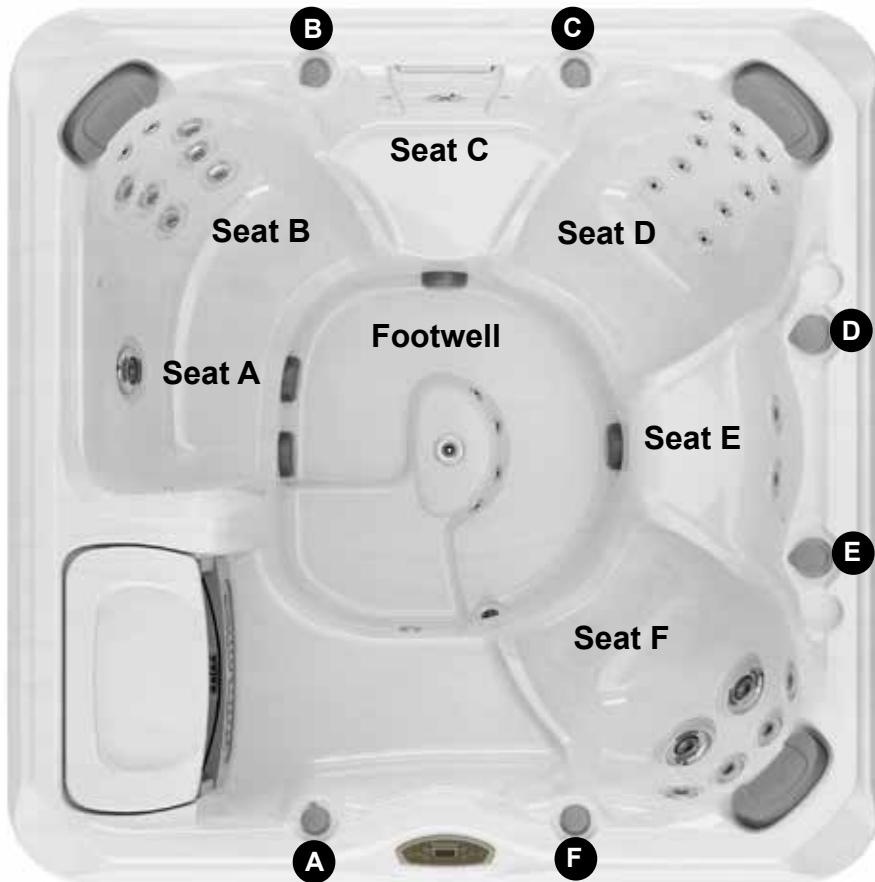
<b>Dimensions:</b> .....	84" x 84" x 36" (213 cm x 213 cm x 91.44 cm)	
<b>Seating Capacity:</b> .....	5 Adults	
<b>Dry Weight:</b> .....	740 lbs (336 kg)	
<b>Filled Weight (Spa Volume):</b> .....	4,368 lbs (1,981 kg)	
<b>Filled Weight (Average Fill):</b> .....	3,701 lbs (1,679 kg)	
<b>Water Capacity (Spa Volume):</b> .....	435 US Gal (1,647 Liters)	
<b>Water Capacity (Average Fill):</b> .....	355 US Gal (1,344 Liters)	
<b>Controls:</b> .....	780 Series Solid-State Electronic Controls with LCD Readout, Programmable Water Temperature, Filtration, and Heat Cycles	
<b>Water Delivery:</b> .....	2 High Flow Pump	
<b>Pump 1:</b> .....	North America (60 Hz): 1-Speed/2.5 HP Continuous, 12.0A Max., 56 Frame <b>Export (50 Hz): 1-Speed/2.0 HP Continuous, 8.0A Max.</b>	
<b>Pump 2:</b> .....	North America (60 Hz): 1-Speed/2.5 HP Continuous, 11A Max., 56 Frame <b>Export (50 Hz): 1-Speed/2.0 HP Continuous, 7.0A Max.</b>	
<b>Pump 3:</b> .....	8-Hour Filter/Circulation Pump; High Output Flow	
<b>Total Hydrojets:</b> .....	<b>34</b>	
<b>Seat A Jets :</b> .....	1 Vortex	
<b>Seat B Jets:</b> .....	2 SMT Micro, 6 SMT Fluidix	
<b>Seat C Jets:</b> .....	1 Mini Vortex	
<b>Seat D Jets:</b> .....	2 SMT Micro, 9 Accu-Pressure	
<b>Seat E Jets:</b> .....	2 Mini Vortex	
<b>Seat F Jets:</b> .....	4 Mini Vortex, 2 Vortex	
<b>Footwell Jets (G):</b> .....	1 Mini Vortex, 4 Adjustable Accu-Pressure	
<b>Air Controls/Massage Selectors:</b> .....	3/2 Standard air control with LED lights	
<b>Filter:</b> .....	MicroClean® I Filtration System with Floating Weir, 125 ft² combined filtration, (1 pleated and 1 spun-bound cartridge)	
<b>Water Treatment:</b> .....	8-Hour Circulation Pump; Factory installed CLEARRAY® Water Purification System	
<b>Lighting:</b> .....	Standard Multi-Colored SunRay LED Light; 6 LED Pin Lights; Indicator light; Air controls	
<b>Synthetic Cabinet:</b> .....	Available in Coastal, Mahogany, Autumn Walnut	
<b>Shell Colors:</b> .....	North America: Platinum, Celestite (Gypsum), Sahara, Oyster (Opal), Copper Sand, Monaco, Midnight, Caribbean Surf, Sandstone, Porcelain <b>Export (50 Hz): All North America Colors</b>	
<b>Handrails:</b> .....	N/A	
<b>Headrests:</b> .....	Three, 1-Piece Gray	
<b>Heater:</b> .....	North America (60 Hz): 5.5 kW, High Flow <b>Export (50 Hz): Low Flow, 2.7 kW</b>	
<b>Electrical Requirements:</b> .....	North America (60 Hz): 240 VAC@40A, 50A, or 60A; <b>Export (50 Hz): 230-240 VAC@20A, 30A, or 40A; or Suitably Rated Circuit Breaker to Comply with Local Electrical Regulations. Certain Countries May Require Dual Power Inputs; Two GFCI/RCD Breakers are Required for This Configuration.</b>	
<b>Limited Warranty*:</b> .....	North America (60 Hz): 10 Years Shell, 7 Years Shell Surface, 5 Years Plumbing Component Leaks, 5 Years Equipment and Controls, 5 Years Cabinet, 2 Years Jets, 2 Years Lights, 1 Year Stereo <b>Export (50 Hz): 10 Years Shell, 7 Years Shell Surface, 2 Years Plumbing Component Leaks, 2 Years Equipment and Controls, 2 Years Cabinet, 2 Years Jets, 2 Years Lights, 2 Years Stereo</b>	
<b>Waterfall Feature:</b> .....	On/Off Flow Rate on when circulation pump is running; Colored Lighting	
<b>Audio System (Optional):</b> .....	Factory Installed BLUEWAVE® Spa Stereo System with Wireless Remote Control, Auxiliary 3.5 mm headphone jack connection, USB connection, FM radio, Bluetooth® compatible, integrated docking station and subwoofer	
<b>Special Features (Optional):</b> .....	Factory Installed SmartTub™ module (North American only)	

\*(See Warranty Document for Specific Details)

Dimensions/Specifications Subject To Change Without Notice

# Sundance Spas 780 Hanover

## Operation/Seat Depths



- (A)** Air Control - Activates Seat F Jets (4 Mini Vortex, 2 Vortex) + Footwell Jets (2 Adjustable Accu-Pressure)
- (B)** Air Control - Seat B Jets (2 SMT Micro, 6 SMT Fluidix)
- (C)** Air Control - Activates Seat A (1 Vortex) + Seat C (1 Mini Vortex) + Seat D (2 SMT Micro, 9 Accu-Pressure) + Seat E Jets (2 Mini Vortex)
- (D)** Massage Selector [Pump 1]- Adjusts Massage Level Between Seat B Jets and Seat E Jets + Footwell (2 Adjustable Accu-Pressure)
- (E)** Massage Selector [Pump 2]- Adjusts Massage Level Between Seat D Jets and Seat A + Seat C, Seat E + Footwell (1 Mini Vortex) Jets
- (F)** Waterfall Selector [8-Hour Circ. Pump] - Controls Waterfall Output

- Jets Pump 2: Footwell Jets (2 Adjustable Accu-Pressure) are always on when this pump is running

### 34 Total Jets (Stainless Steel Escutcheons Standard)



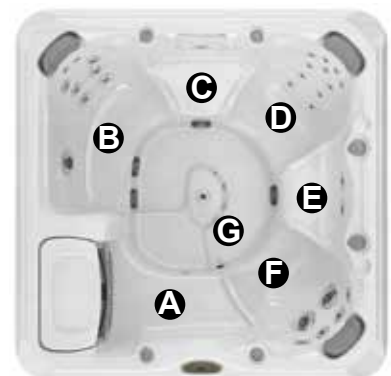
Spa Operation Subject To Change Without Notice

## SEAT DEPTHS

**A = 19.00" (48.26 cm)**  
**B = 27.25" (69.22 cm)**  
**C = 18.13" (46.04 cm)**  
**D = 28.75" (73.03 cm)**

**E = 17.75" (45.09 cm)**  
**F = 27.00" (68.58 cm)**  
**G = 32.70" (83.06 cm)**

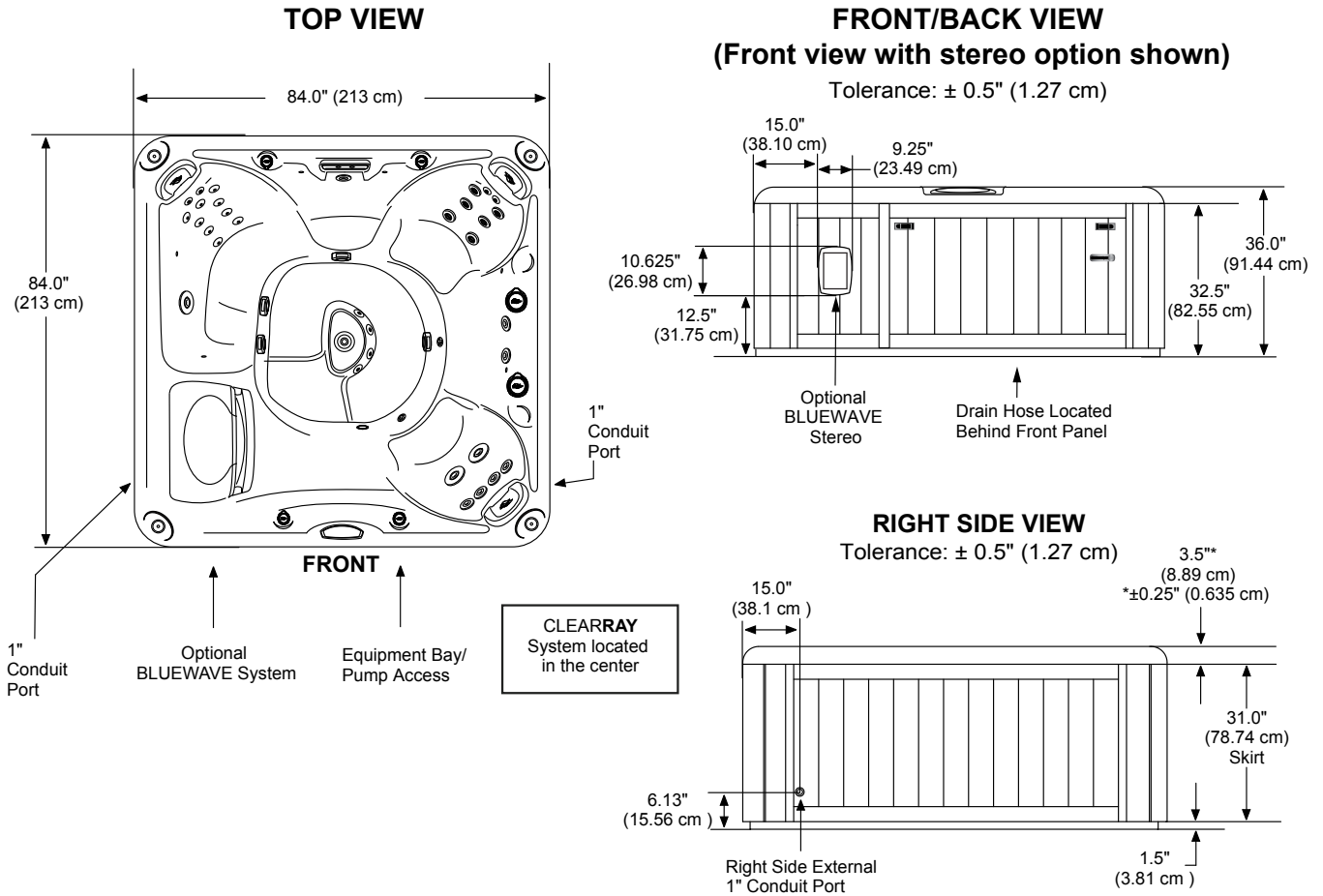
Listed dimensions represent distance from top of acrylic to lowest point in seat. **Tolerance ± 0.5" (1.27 cm).**



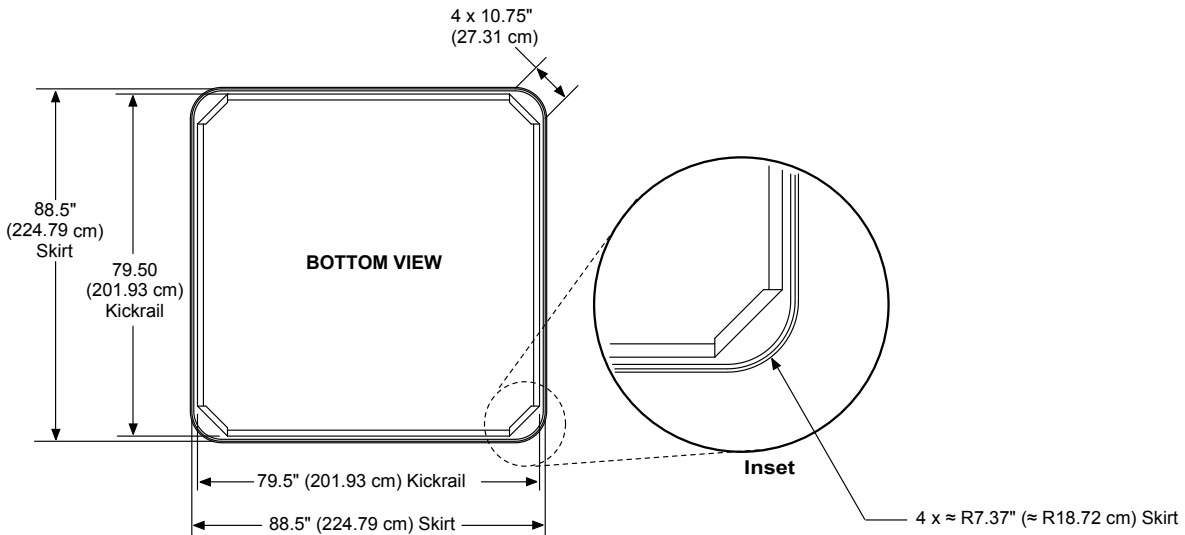
Dimensions/Specifications Subject To Change Without Notice

# Sundance Spas 780 Hanover

## Portable Dimensions



**IMPORTANT! Always measure each hot tub for exact dimensions BEFORE designing its foundational support and/or decking.**



Dimensions/specifications subject to change without notice. Tolerance: ± 0.5" (1.27 cm)

Dimensions/Specifications Subject To Change Without Notice

Denne modellen kan kobles med 1-fas 230V C-sikring (treg) og 3-fas (400 volt TN-nett - se egne linjer)

**780-serien:**

Hanover: For å få mest mulig glede av badet anbefaler vi høyeste kurs for optimal drift.				
	Type varmeelement	Alternativ tilkobling	Funksjon	Kretskortinnstillinger
Hanover:	5,5 kW	3-fas (400 volt TN-nett) 25 amp	Varmeelement og pumper kan brukes samtidig	Se brukermanual.
Hanover:	5,5 kW	40 amp eller 20 + 25 amp	Varmeelement og pumper kan brukes samtidig	Se brukermanual.
Hanover:	5,5 kW	25 amp	Alle pumper kan brukes samtidig. Varmeelementet slår seg automatisk av når pumpene startes.	Se brukermanual.
Hanover:	2,7 kW	3-fas (400 volt TN-nett) 16 amp	Varmeelement og pumper kan brukes samtidig	Se brukermanual.
Hanover:	2,7 kW	32 amp eller 16 + 20 amp	Varmeelement og pumper kan brukes samtidig	Se brukermanual.
Hanover:	2,7 kW	20 amp	Alle pumper kan brukes samtidig. Varmeelementet slår seg automatisk av når pumpene startes.	Se brukermanual.
Hanover:	2,7 kW	16 amp	Kun to av tre pumper kan brukes samtidig. Varmeelementet slår seg av når pumpene startes.	Se brukermanual.