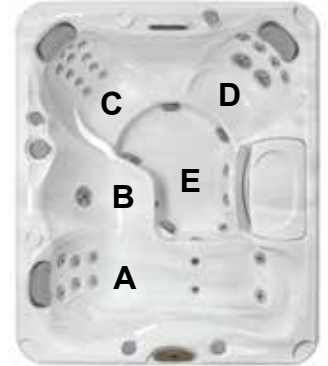


Sundance Spas 780 Montclair™

Specifications

Dimensions:	75" x 91" x 33" (191 cm x 231 cm x 83.82 cm)
Seating Capacity:	4-5 Adults
Dry Weight:	790 lbs (358 kg)
Filled Weight (Spa Volume):	4,251 lbs (1,928 kg)
Filled Weight (Average Fill):	3,375 lbs (1,531 kg)
Water Capacity (Spa Volume):	415 US Gal (1,571 Liters)
Water Capacity (Average Fill):	310 US Gal (1,173 Liters)
Controls:	780 Series Solid-State Electronic Controls with LED Readout, Programmable Temperature, Filtration, and Heat Cycles
Water Delivery:	2 High Flow Pump
Pump 1:	North America (60 Hz): 1-Speed/2.5 HP Continuous, 12A Max., 56 Frame Export (50 Hz): 1-Speed/2.0 HP continuous, 8.0A Max.
Pump 2:	North America (60 Hz): 1-Speed/2.5 HP Continuous, 11A Max., 56 Frame Export (50 Hz): 1-Speed/2.0 HP Continuous, 7.0A Max.
Pump 3:	8-Hour Filter/Circulation Pump; High Output Flow
Total Hydrojets:	30
Seat A Jets:	6 SMT Fluidix, 2 Adjustable Accu-Pressure, 2 Mini Vortex
Seat B Jets:	1 Vortex
Seat C Jets:	2 SMT Micro, 9 Accu-Pressure
Seat D Jets:	4 Mini Vortex, 2 Vortex
Footwell Jets (E):	2 Mini Vortex
Air Controls/Massage Selectors:	3/1 Standard air control with LED lights
Filter:	MicroClean® I Filtration System with Floating Weir, 125 ft² combined filtration, (1 pleated and 1 spun-bound cartridge)
Water Treatment:	8-Hour Circulation Pump; Factory installed CLEARRAY® Water Purification System
Lighting:	Standard Multi-Colored SunRay LED Light; 6 LED Pin Lights; Indicator light; Air controls
Synthetic Cabinet:	Available in Coastal, Mahogany, Autumn Walnut
Shell Colors:	North America: Platinum, Celestite (Gypsum), Sahara, Oyster (Opal), Copper Sand, Monaco, Midnight, Caribbean Surf, Sandstone, Porcelain Export (50 Hz): All North America Colors
Handrails:	N/A
Headrests:	Three, 1-Piece Gray
Heater:	North America Model (60 Hz): High Flow 5.5 kW@240 VAC; Export (50 Hz): Low Flow, 2.7 kW
Electrical Requirements:	North America Model (60 Hz): 240 VAC@40A, 50A or 60A Export (50 Hz): 230-240 VAC@20A, 30A or 40A; or Suitably Rated Circuit Breaker to Comply with Local Electrical Regulations. Certain Countries May Require Dual Power Inputs; Two GFCI/RCD Breakers are Required for This Configuration.
Limited Warranty*:	North America (60 Hz): 10 Years Shell, 7 Years Shell Surface, 5 Years Plumbing Component Leaks, 5 Years Equipment and Controls, 5 Years Cabinet, 2 Years Jets, 2 Years Lights, 1 Year Stereo Export (50 Hz): 10 Years Shell, 7 Years Shell Surface, 2 Years Plumbing Component Leaks, 2 Years Equipment and Controls, 2 Years Cabinet, 2 Years Jets, 2 Years Lights, 2 Years Stereo
Waterfall Feature:	On/Off Flow Rate on when circulation pump is running; Colored Lighting
Audio System (Optional):	Factory Installed BLUEWAVE® Spa Stereo System with Wireless Remote Control, Auxiliary 3.5 mm headphone jack connection, USB connection, FM radio, Bluetooth® compatible and integrated docking station
Special Features (Optional):	Factory Installed SmartTub™ module (North American only)



*(See Warranty Document for Specific Details)

Dimensions/Specifications Subject To Change Without Notice

Sundance Spas 780 Montclair

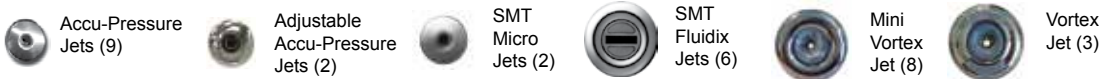
Operation/Seat Depths



- (A)** Air Control - Activates Seat A Jets (6 SMT Fluidix, 2 Adjustable Accu-Pressure, 2 Mini Vortex)
- (B)** Massage Selector [Pump 1]- Adjusts Massage Level Between Seat A Jets and Seat C Jets
- (C)** Air Control - Activates Seat C Jets (2 SMT Micro, 9 Accu-Pressure)
- (D)** Air Control - Activates Seat B Jets (1 Vortex) + Seat D Jets (4 Mini Vortex, 2 Vortex) + Footwell Jets (2 Mini Vortex)
- (E)** Waterfall Selector [8-Hour Circ. Pump] - Controls Waterfall Output

• Jets Pump 2: Seat B Jets + Seat D Jets + Footwell Jets are always on when the jets pump is running

30 Total Jets (Stainless Steel Escutcheons Standard)

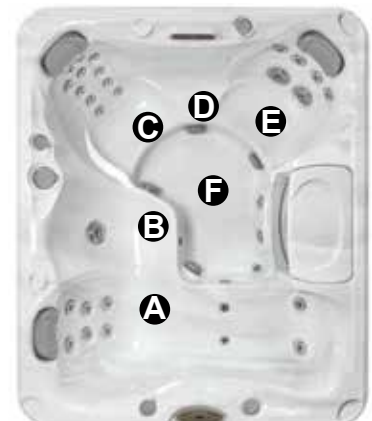


Spa Operation Subject To Change Without Notice

SEAT DEPTHS

- A = 24.63" (62.55 cm)**
- B = 24.63" (62.55 cm)**
- C = 27.75" (70.49 cm)**
- D = 22.75" (57.79 cm)**
- E = 25.75" (65.41 cm)**
- F = 30.38" (77.15 cm)**

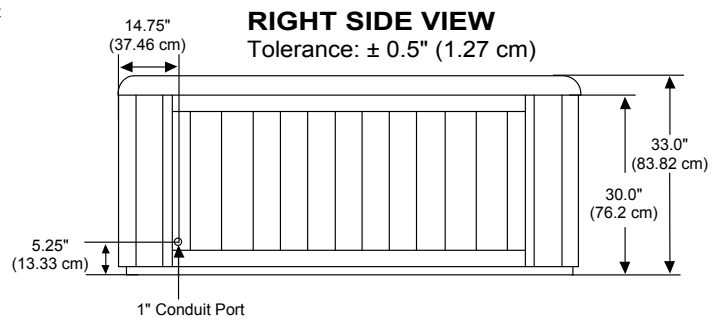
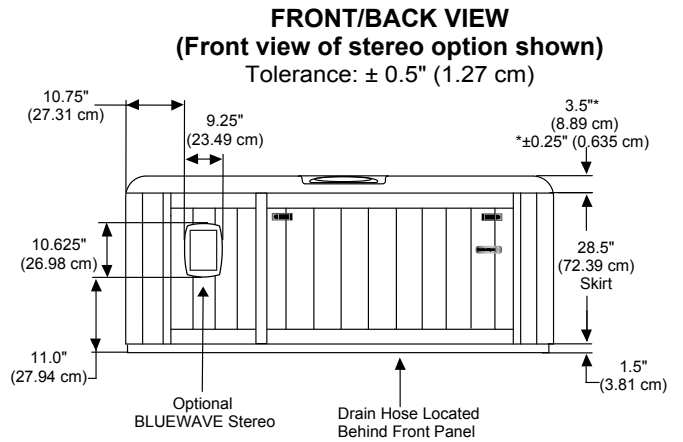
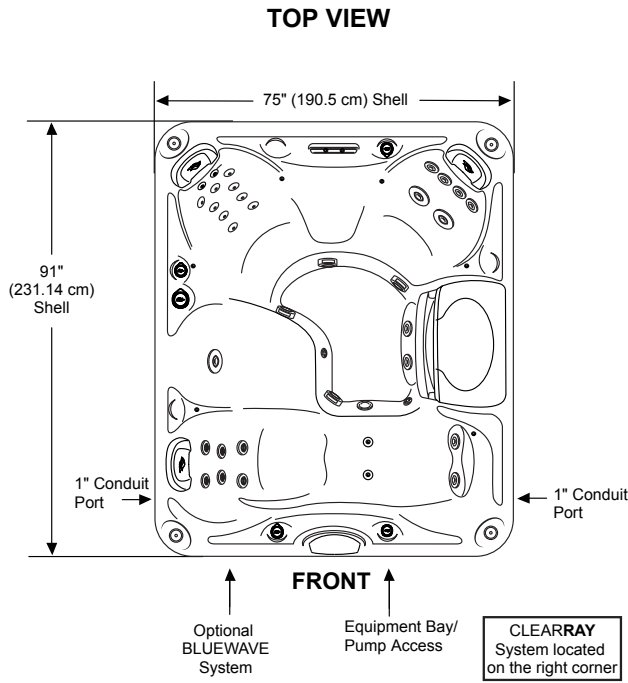
Listed dimensions represent distance from top of acrylic to lowest point in seat. **Tolerance ± 0.5" (1.27 cm).**



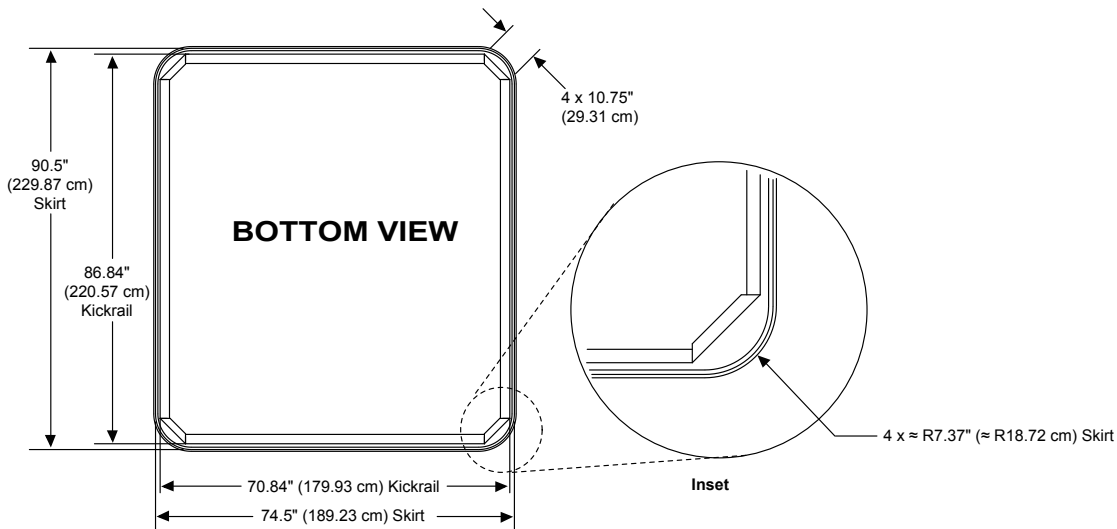
Dimensions/Specifications Subject To Change Without Notice

Sundance Spas 780 Montclair

Portable Dimensions



IMPORTANT! Always measure each hot tub for exact dimensions **BEFORE** designing its foundational support and/or decking.



Dimensions/specifications subject to change without notice. Tolerance: $\pm 0.5"$ (1.27 cm)

Dimensions/Specifications Subject To Change Without Notice

Denne modellen kan kobles med 1-fas 230V C-sikring (treg) og 3-fas (400 volt TN-nett - se egne linjer)

780-serien:

Montclair: For å få mest mulig glede av badet anbefaler vi høyeste kurs for optimal drift.				
	Type varmeelement	Alternativ tilkobling	Funksjon	Kretskortinnstillinger
Montclair:	5,5 kW	3-fas (400 volt TN-nett) 25 amp	Varmeelement og pumper kan brukes samtidig	Se brukermanual.
Montclair:	5,5 kW	40 amp eller 20 + 25 amp	Varmeelement og pumper kan brukes samtidig	Se brukermanual.
Montclair:	5,5 kW	25 amp	Alle pumper kan brukes samtidig. Varmeelementet slår seg automatisk av når pumpene startes.	Se brukermanual.
Montclair:	2,7 kW	3-fas (400 volt TN-nett) 16 amp	Varmeelement og pumper kan brukes samtidig	Se brukermanual.
Montclair:	2,7 kW	32 amp eller 16 + 20 amp	Varmeelement og pumper kan brukes samtidig	Se brukermanual.
Montclair:	2,7 kW	20 amp	Alle pumper kan brukes samtidig. Varmeelementet slår seg automatisk av når pumpene startes.	Se brukermanual.
Montclair:	2,7 kW	16 amp	Kun to av tre pumper kan brukes samtidig. Varmeelementet slår seg av når pumpene	Se brukermanual.