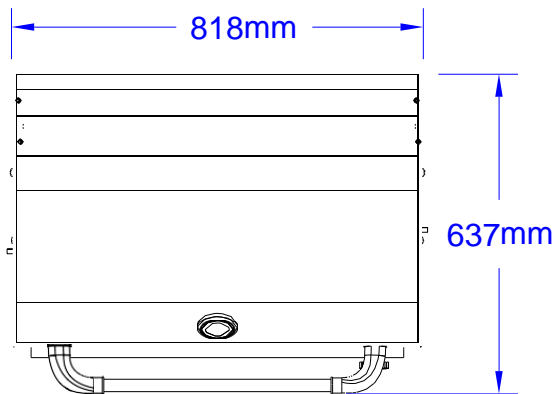
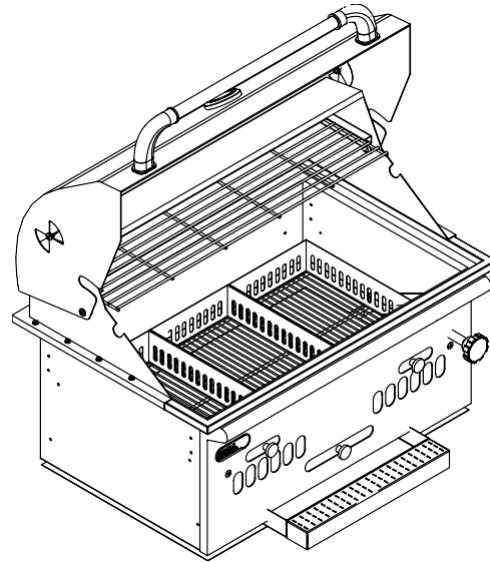




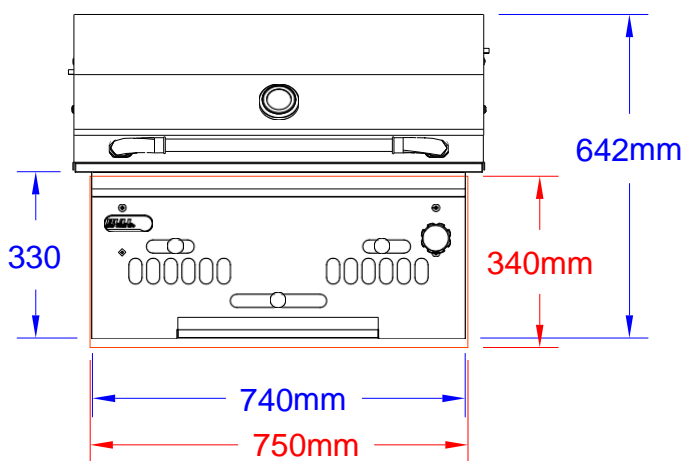
ITEMS: #88787
NEW BISON CHARCOAL GRILL HEAD



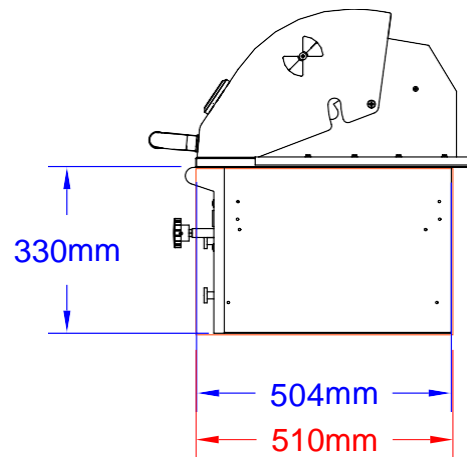
Top View



Isometric View



Front View



Side View

SPEC SHEET NOTES:

1. **CUTOUT DIMENSIONS 750L X 510D X 340H**
2. **SCALE: 1:15 (Printer page scaling none, do not use fit to printable area option)**
3. **REVISION: 10/2018**