

A

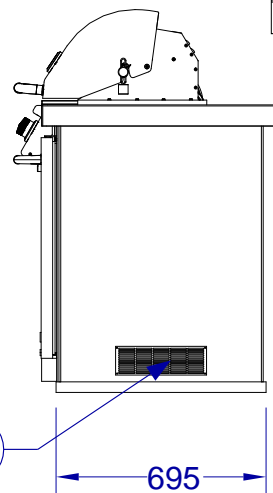
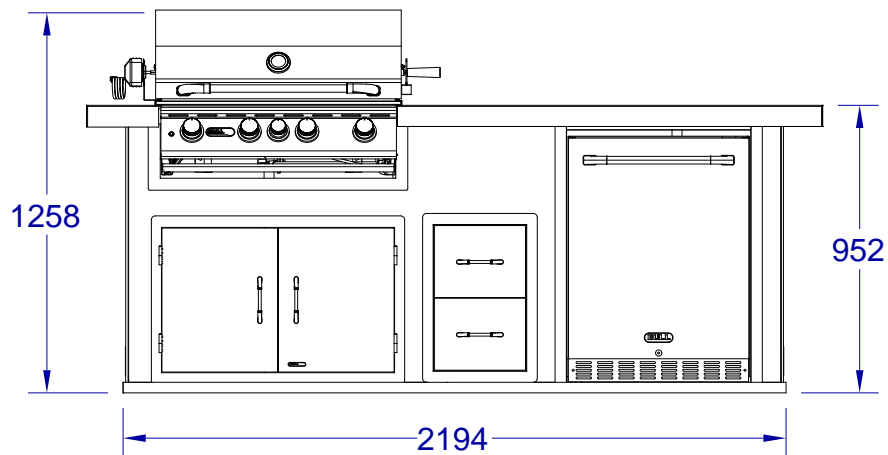
B

C

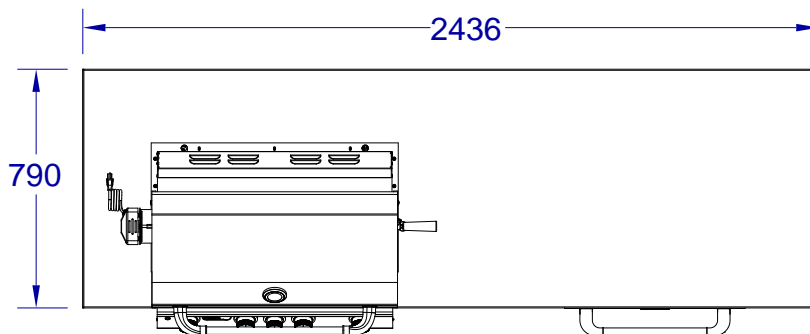
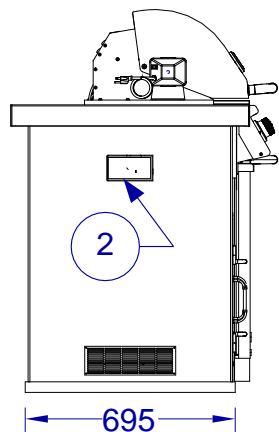
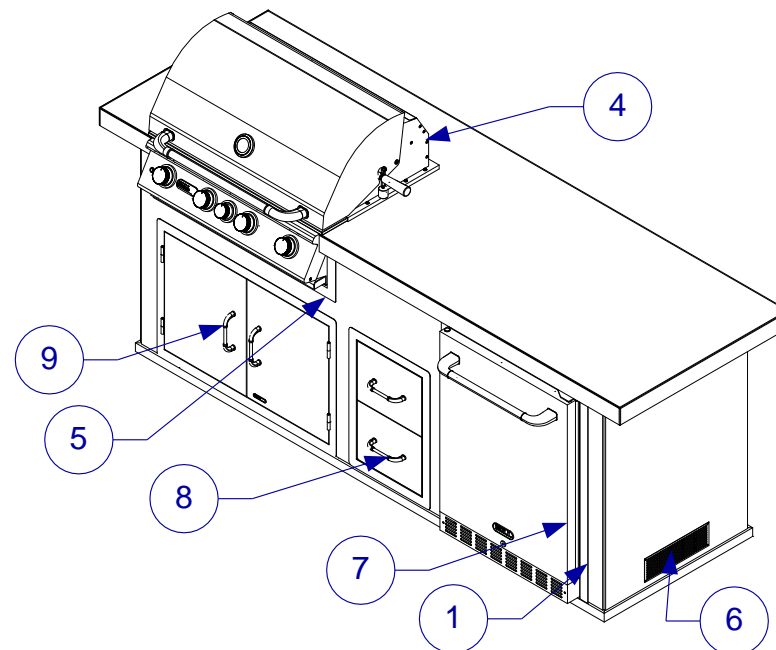
D

E

F



REVISION HISTORY				
ZONE	REV	DESCRIPTION	DATE	APPROVED



CLIENT NAME: SUNDANCE

APPROVAL SIGNATURE: _____ / _____ / _____

DATE OF APPROVAL: _____ / _____ / _____

EXPECTED DATE OF SHIPMENT: _____ / _____ / _____

MAXIMUM DATE OF SHPMENT: 2WEEKS

Item No.	Part Number	Qty	Description
1	#13900	1	S/S P. O. REFRIGERATOR FRAME
2	#69739	1	ELECTRICAL BOX
3	7MTL0SUP2A	1	ELE. BOX SUPPORT
4	#47628CE	1	S/S ANGUS GRILL
5	#49328	1	S/S ANGUS FINISHING FRAME
6	#42500	2	S/S NEW AIR VENT
7	#13700	1	S/S PREMIUM OUTDOOR REFRIGERATOR SE...
8	#56985	1	S/S DOUBLE DRAWERS
9	#33568	1	76CM DOUBLE DOORS

4

IronCAD
2D drawing
3D file availableScale:
1:25General
Tolerances acc to:
ISO 2768-1
mediumFile Name:
LAYOUT - SUNDANCE - ANGUS -
ODK - DISPLAY 5 icd.icd

Drawn by:

Checked by:

Approved by:

Last saved:
18/12/2018 16:56

Created Date:



Description
SUNDANCE - ANGU-ODK
(C)-DISPLAY 5

Sheet No: Rev.
1 (1) ...Doc. No:
ODK