

A

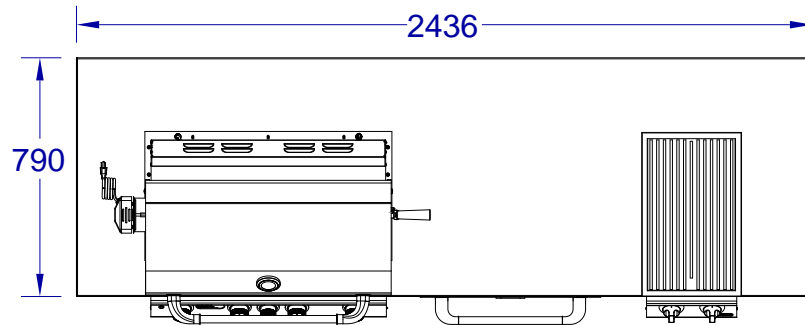
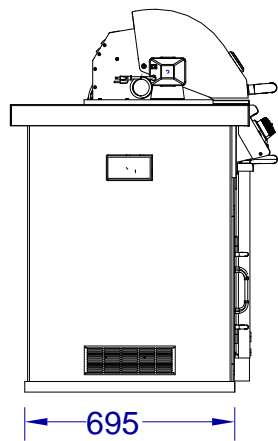
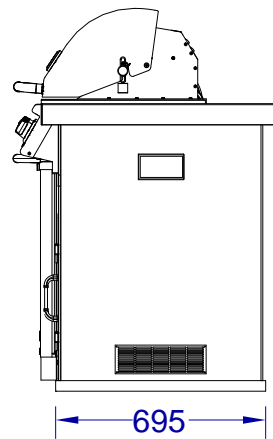
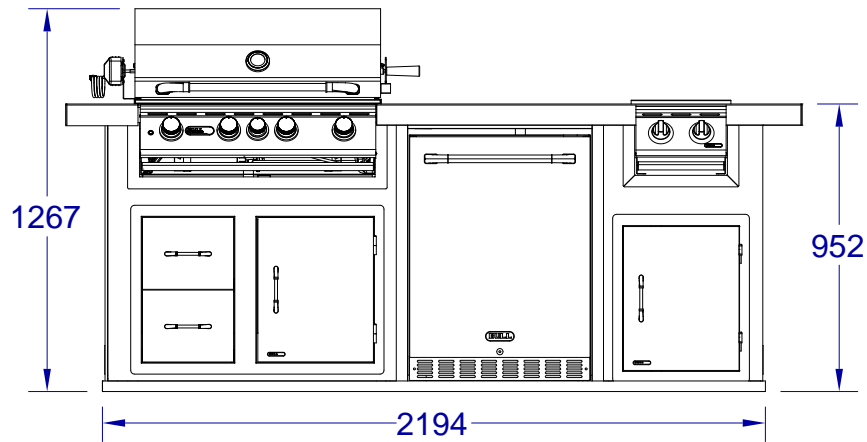
B

C

D

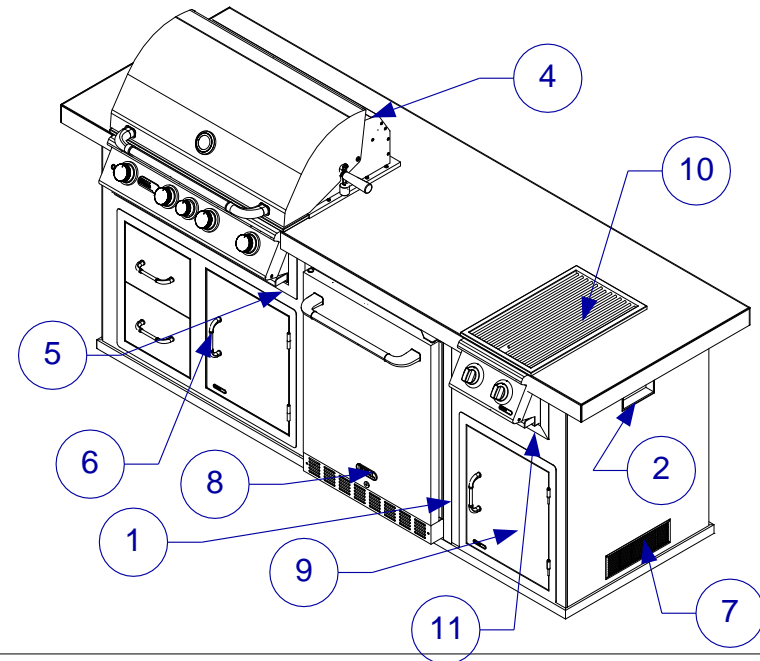
E

F



REVISION HISTORY

ZONE	REV	DESCRIPTION	DATE	APPROVED
------	-----	-------------	------	----------



CLIENT NAME: SUNDANCE

APPROVAL SIGNATURE: _____ / _____ / _____

DATE OF APPROVAL: _____ / _____ / _____

EXPECTED DATE OF SHIPMENT: _____ / _____ / _____

MAXIMUM DATE OF SHPMENT: 2WEEKS

Item No.	Part Number	Qty	Description
1	#13900	1	S/S P. O. REFRIGERATOR FRAME
2	#69739	2	ELECTRICAL BOX
3	#7MTLOSUP2A	1	ELE. BOX SUPPORT
4	#47628CE	1	S/S ANGUS GRILL
5	#49328	1	S/S ANGUS FINISHING FRAME
6	#25876	1	S/S DOOR/DRAWER COMBO
7	#42500	2	S/S NEW AIR VENT
8	#13700	1	S/S PREMIUM OUTDOOR REFRIGERATOR SE...
9	#89975	1	S/S RIGHT SWING VERTICAL DOOR
10	#30008/9CE	1	S/S SLIDE IN DOUBLE SIDEBURNER
11	#93007	1	S/S 340 MM FINISHING FRAME

4

IronCAD
2D drawing
3D file availableGeneral
Tolerances acc to:ISO 2768-1
mediumScale:
1:25

File Name:

LAYOUT - SUNDANCE - ODK- SB
ANG - KITCHEN 1.icd

Last saved:

14/12/2018 14:03

Drawn by:

...

Checked by:

...

Approved by:

...

Created Date:

Sheet No: Rev.

1 (1) ...

Doc. No:

ODK



Description

SUNDANCE - ODK- SB ANG
- KITCHEN 1