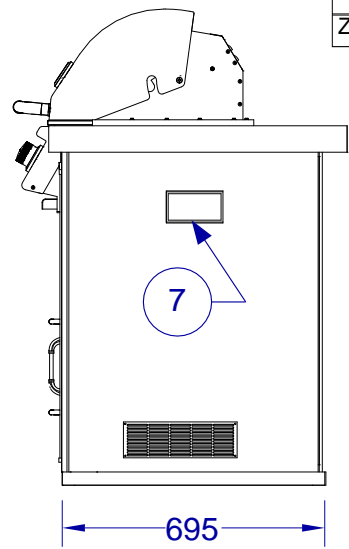
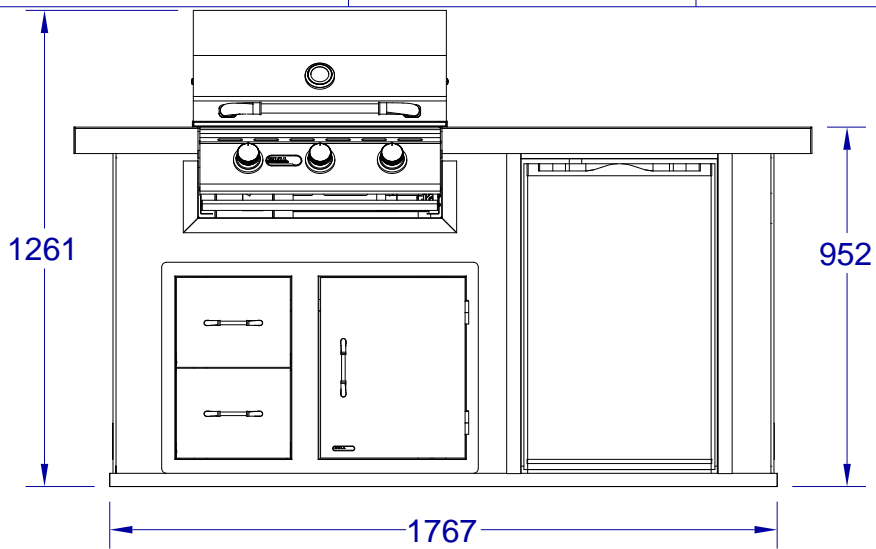
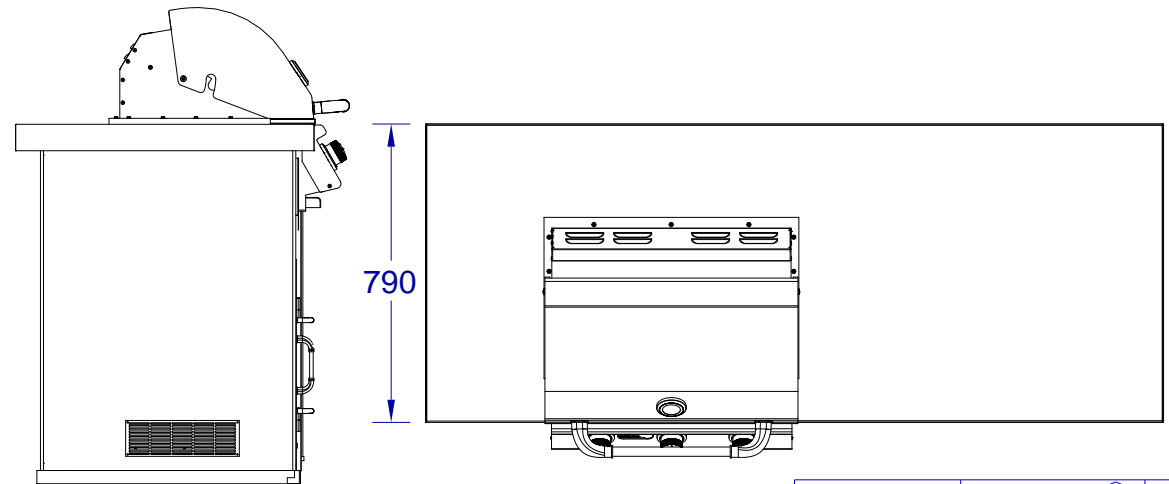
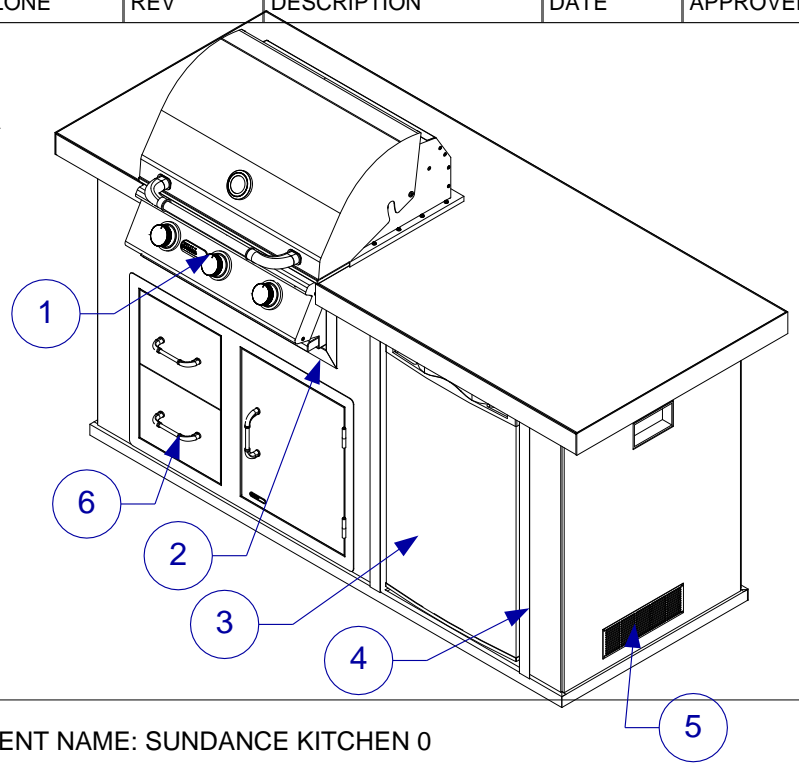


A B C D E F



REVISION HISTORY

ZONE	REV	DESCRIPTION	DATE	APPROVED
------	-----	-------------	------	----------



CLIENT NAME: SUNDANCE KITCHEN 0

APPROVAL SIGNATURE: _____ / _____ / _____

DATE OF APPROVAL: _____ / _____ / _____

EXPECTED DATE OF SHIPMENT: _____ / _____ / _____

MAXIMUM DATE OF SHPMENT: 2WEEKS

Item No.	Part Number	Qty	Description
1	#69008/9CE	1	S/S STEER PREMIUM GRIL
2	#74327	1	S/S STEER FINISHING FRA
3	#11002	1	S/S STD EU FRIDGE
4	#99935	1	S/S REFRIGERATOR FRA...
5	#42500	2	S/S NEW AIR VENT
6	#25876	1	DOOR/DRAWER COMBO
7	#69739	1	ELECTRICAL BOX

A4

IronCAD
2D drawing
3D file available

Scale:
1:25

ISO E

General
Tolerances acc to:
**ISO 2768-1
medium**

File Name:
**LAYOUT - SUNDANCE - PQ STEER
- KITCHEN 0.icd**

Drawn by: ...
Checked by: ...
Approved by: ...

Last saved:
21/01/2019 11:09

Created Date:



Description
**SUNDANCE - PQ STEER -
KITCHEN 0**

Sheet No: Rev.
1 (1) ...

Doc. No:
ODK