

A

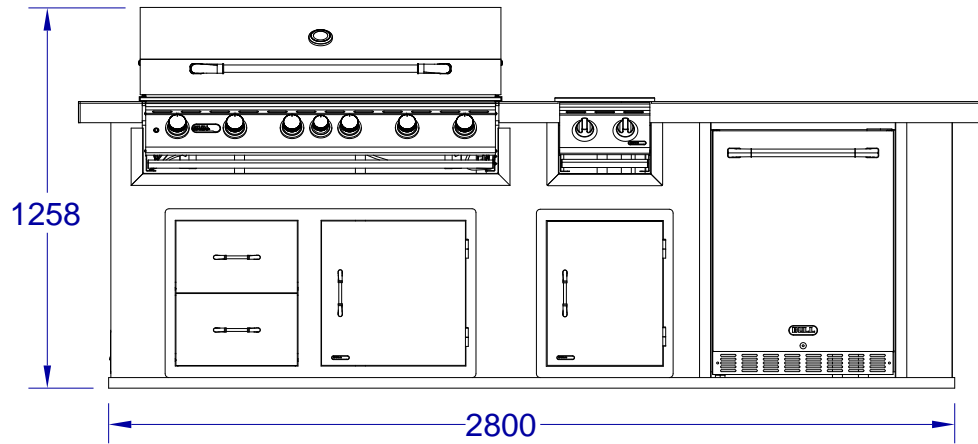
B

C

D

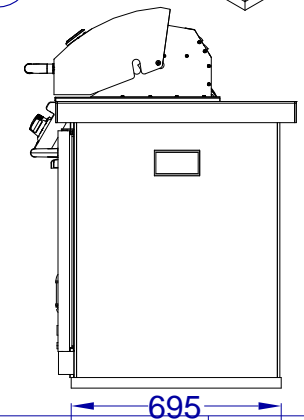
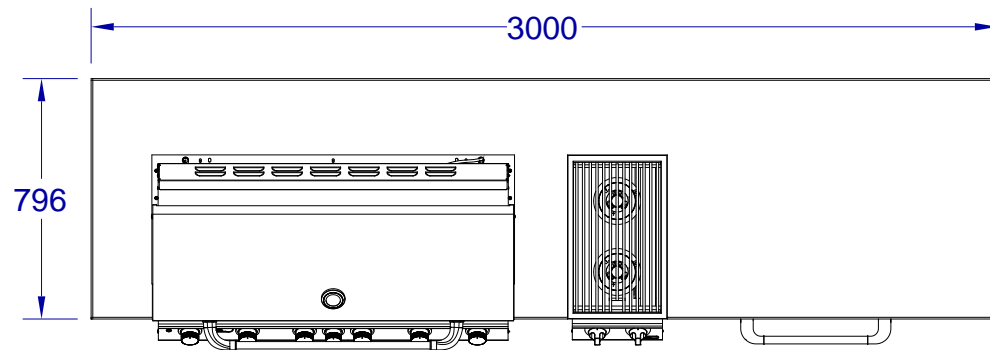
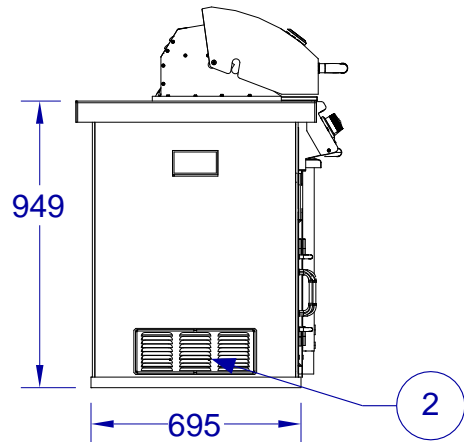
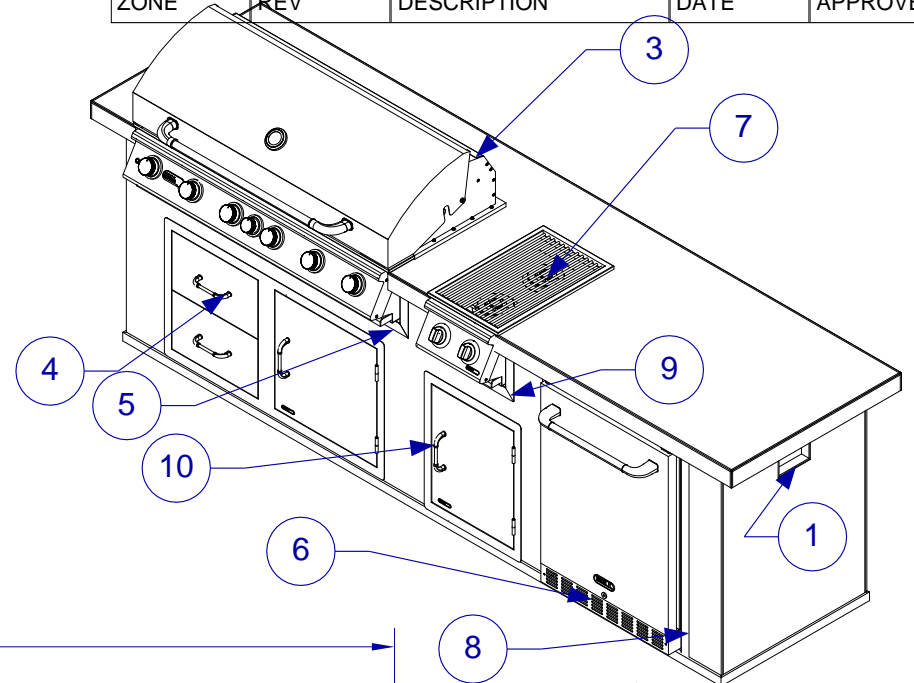
E

F



### REVISION HISTORY

ZONE	REV	DESCRIPTION	DATE	APPROVED
------	-----	-------------	------	----------



Item No.	Part Number	Qty	Description
1	69739 box	2	ELECTRICAL BOX
2	7BUL116589	1	VENT
3	DIABLO	1	DIABLO GRILL
4	#55875	1	97 cm DOOR/DRAWER COMBO
5	493287B	1	7 BURNER FINISHING FRAME
6	13700	1	PREMIUM OUTDOOR REFRIGERATOR SERIE
7	30008/9	1	SLIDE IN DOUBLE SIDEBURNER
8	13900	1	PO REFRIGERATOR FRAME 13900
9	9BUL093007	1	340 MM FINISHING FRAME
10	589975	1	RIGHT VERTICAL DOOR

**A4**  
ISO E

IronCAD  
2D drawing  
3D file available

Scale:  
**1:25**

General  
Tolerances acc to:  
**ISO 2768-1  
medium**

File Name:  
**LAYOUT-Outdoor Kitchen for Diablo  
on display.icd**

Drawn by:  
...

Checked by:  
...

Approved by:  
...

Last saved:  
**08/02/2018 09:38**

Created Date:



**Description**  
**ODK(Mts)-DIABLO-DD97-  
SISB-RVD-POFR**

Sheet No: | Rev.  
**1 ( 1 )** | ...

Doc. No:  
**ODK(Mts)**

This document and its contents are the exclusive property of "Company", and may not be copied, reproduced, transmitted or communicated to a third part, or used for any purpose without written permission.