

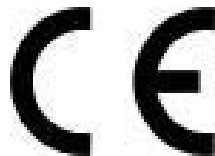
# MATRIX Infrared Patio Heater

Safety Instructions  
and Operation Manual



**Model: PV009-200KB**

(Note: This product is strictly prohibited to cover )



Thank you for purchasing our products. Please read carefully this instruction before using and operate strictly accordance with the instructions, and especially pay attention to "**Important Safety Instructions**". Please be careful collection after reading so as to for future reference.

## Brief Introduction

This product is infrared radiant heater with remote control and IP 65 approved .It is almost unlimited used in outdoor ,such as open bars, courtyard, plaza, station, and construction site in winter etc. This patio heater is energy-efficient, convenient, environmentally friendly and for better life etc.

# Important Safety Instructions

When using electrical appliances, basic safety precautions should always be followed to reduce the risk of fire, electric shock, or injury to persons, including the following:.

Read all instructions before using this heater

- This heater is hot when in use .To avoid burns,do not let bare skin touch hot surfaces.If provided ,use handles when moving this heater.Keep combustible materials,such as furniture,pillows ,bedding ,papers,clothes and curtains at least 0.9m from the front of the heater.
- Extreme caution is necessary when any heater is used by or near children or invalids and whenever the heater is left operating and unattended.
- Always unplug heater when not in use
- Do not operate any heater with a damaged cord or plug or after the heater malfunctions, has been dropped or damaged in any manner. Discard heater, or return to authorized service facility for examination and/or repair.
- This heater is not intended for use in bathrooms, laundry areas and similar locations. Never locate heater where it may fall into a bathtub or other water container.
- Do not run cord under carpeting. Do not cover cord with throw rugs, runners, or similar coverings. Do not route cord under furniture or appliances. Arrange cord away from traffic area and where it will not be tripped over.
- Connect to properly grounded outlets only.
- To disconnect heater, turn controls off, then remove plug from outlet.
- Do not insert or allow foreign objects to enter any ventilation or exhaust opening as this may cause an electric shock or fire, or damage the heater.
- To prevent a possible fire, do not block air intakes or exhaust in any manner. Do not use on soft surfaces, like a bed, where openings may become blocked.
- A heater has hot and arcing or sparking parts inside. Do not use it in areas where gasoline, paint, or flammable liquids are used or stored.
- Use this heater only as described in this manual. Any other use not recommended by the manufacturer may cause fire, electric shock, or injury to

# Save These Instructions

## SPECIFICATIONS

Specification	<input type="checkbox"/> PV009-200KB
Voltage (V)	<input type="checkbox"/> 220-240V~
Power consumption (W)	<input type="checkbox"/> 2000W
Dimensions LxWxH (mm)	<input type="checkbox"/> 660.0x140.0x110.0
Weight (kg)	<input type="checkbox"/> 3.5KG
IP code	<input type="checkbox"/> IP65
Infrared receiving Angle	<input type="checkbox"/> 60°±5°

## BLUETOOTH OPERATION

A free Bluetooth App is available to download for this heater for either your iPhone, iPad or Android device. The 'Sunkare Heater' App will allow you to connect remotely to many heaters and control them independently. Control functions include:

- On/Off
- Variable heat output from 25% to 100%
- Timer with auto shut off
- Password connection to heaters
- Individual heater identification and control

To download, search for 'Sunkare' in your App store and add to your device.



# SUNKARE



iOS

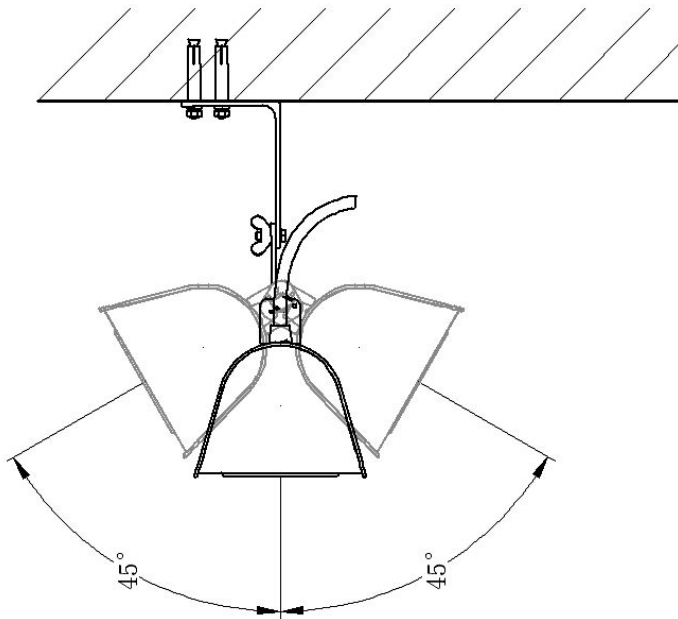
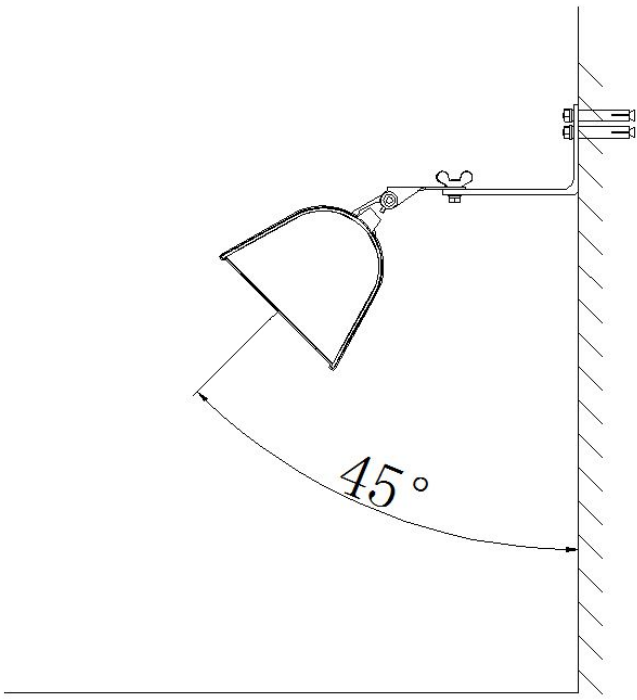


Android

- The remote control function may be out of work if there is a barrier between the remote control and heater .
- Replacing the batteries duly so as not to affect the normal use of heater and remote control.

## Operation Instruction

- Remove all package material (including anti-vibration object of the lamp) and check the appliance, supply cord and the plug for signs of damage.
- Pay attention to the mounting place and all mounting material(dowels, screws). Ensure they are suitable and stable enough for mounting and lastingly holding of the appliance.
- Before mounting, the minimum safe mounting distances and tilt angles shown in the figures must be strictly followed.
- The distance between the bottom edge of the appliance and the floor must be at least 1.8 M. See figure 2.
- There must be a distance of at least 0.25 M between the appliance and the ceilings, roofs or other covers. See figure 2.
- There must be a distance of at least 0.5 M at each side between the appliance and walls or the like. See figure 2.
- Recommended degree to mounting surface is 45°. See figure 3.
- Pay attention that, the installation of the appliance must not add excessive wind load. (can not use fan to blow the heater or add spare part inside the heater)
- Fix the mounting bracket to the ceiling I first. Ensure that the place to be installed is secure and firm. Or connect the appliance to the stand.
- Adjust the desired angle of radiation and fest screw all screws. Check regularly the screw's connection. Mechanical bearing pressure and oscillation due to



# IOS and Android APP instruction

The MATRIX PV009-200KB can also be controlled by an app that has been downloaded to a tablet or smart-phone via a Bluetooth connection.

This app is available in the app store for Apple devices, pls search “Sunkare” and download it. It is also available for Android in the Google Play Store. In order to be able to use the app, turn on the bluetooth connection on your smartphone or tablet and select Sunkare.

With the app, you can:

- On/Off
- Variable heat output from 25% to 100%
- Timer with auto shut off
- Password connection to heaters
- Individual heater identification and control

## Shock safeguard

The MATRIX PV009-200KB has the option of a shock safeguard that switches the device off if it is shocked in any way. The shock safeguard can be activated with the app and the sensitivity can then be set on a sliding scale. When the device is supplied from the factory, the shock safeguard is off. Once the shock safeguard has been activated, it can be operated via the remote control or manually. If the shock safeguard has switched the device off, the red light at the reception point will blink. Check to ensure that the device has not been damaged. If everything is ok, you can restart the device by:

1. Using the remote control to switch the device off and then on again.
  2. Switching it off and on again using the switch, and then selecting the desired output using the reset button (remote control)
  3. Switching the device off and on again with the app.
- Open the APP store or Google Play on your device.

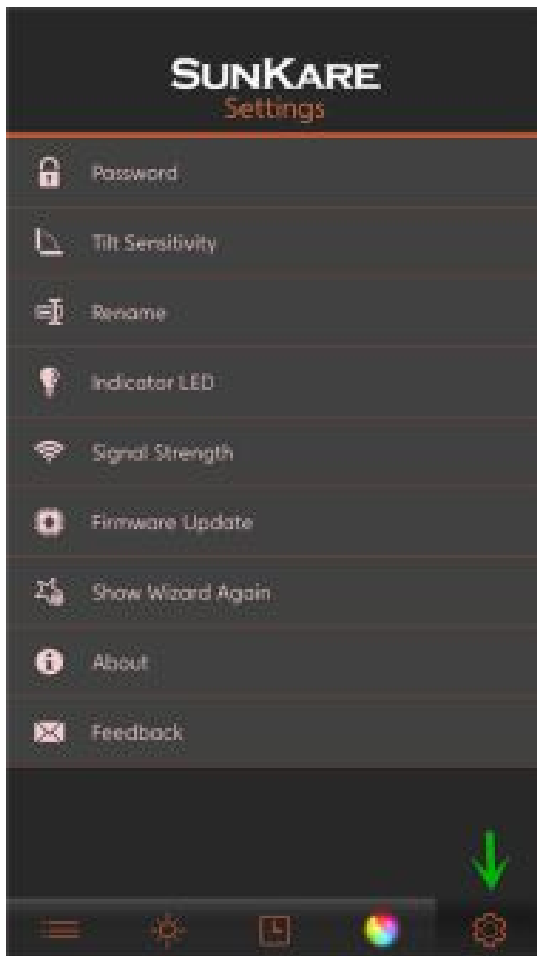


**SUNKARE**

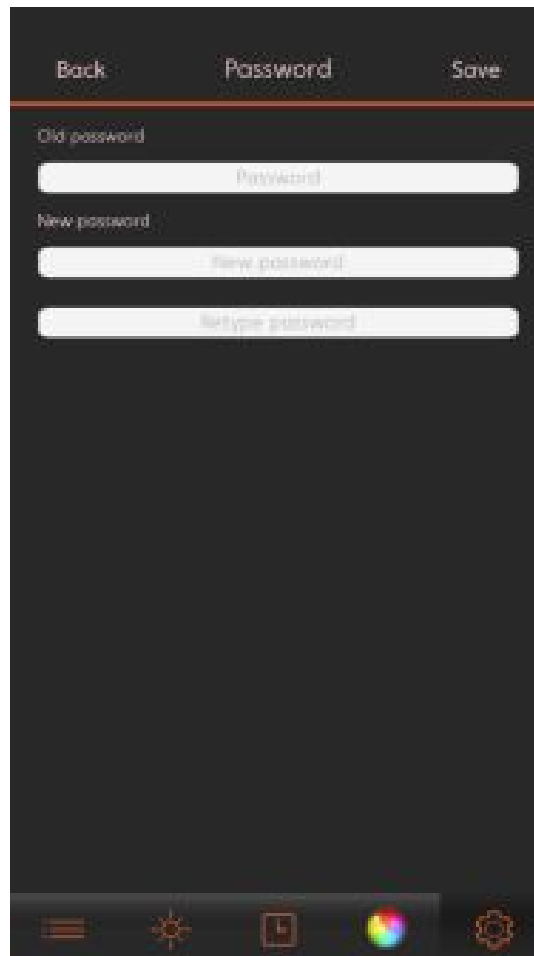


- For the first time use of the heater, a password will be asked. The password is automatically set to: 12345678. If the password is not accepted, please press and hold the reset button on the side of the unit for 10 second. You can retry to fill in the password.

-The password can be changed, select the button in the below right corner of the home screen (Figure 3), and select “Password” to change the password. (Figure 4)



(Figure 3)



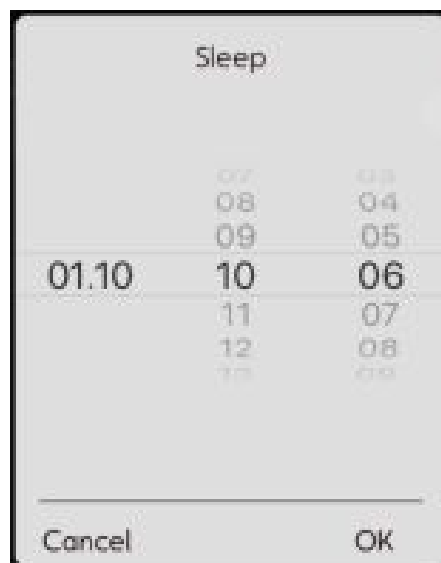
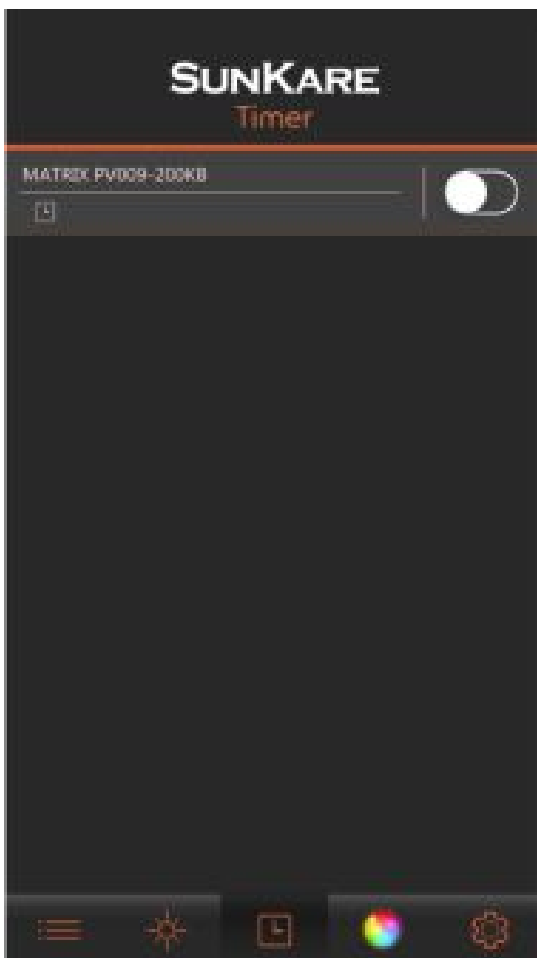
(Figure 4)

- The heater is connected and ready for use.

- To set the heat capacity, please select the small sun-icon below. Thereafter, below screen of Fig.5 will be showed.

- Select the heater and using the circle bar on the top of the screen you are able to set the variable warm. (Fig. 6)

- Using the clock-icon below you are able to set the timer for automatically switch off the heater. (Fig. 7)



(Figure 7)

- In the home screen you are able to change settings by using the cog-icon in the below right corner.



**Warning!**

When you switch off the heater by only using the remote (or APP), the heater will remain stand-by. Always switch off the heater by using the remote (or APP) as well as the main switch on the side of the unit and unplug it from the electrical outlet.

When the APP will be out of Bluetooth reach, there will be no more connection with the heater. However the heater will remain burning and the actual setting will be saved. Do not leave the heater unattended and always use the main switch on the side of the unit to switch off the heater.



PROVIDA VARME

Narverødveien 40, 3113 Tønsberg

Tlf: 92 49 40 78

E-post: [info@providavarme.no](mailto:info@providavarme.no)

Web: [www.providavarme.no](http://www.providavarme.no)

Nettbutikk: [www.providavarmeshop.no](http://www.providavarmeshop.no)