

MATRIX Infrared Patio Heater

Safety Instructions
and Operation Manual



Model: PVMA2000 SLV BT

PVMA2000 G BT

PVMA2000 BLK BT

(Note:This product is strictly prohibited to cover)



www.tuv.com
42 190000000

Thank you for purchasing our products.Please read carefully this instruction before using and operate strictly accordance with the instructions,and especially pay attention to "**Important Safety Instructions**".Please be careful collection after reading so as to for future reference.

Brief Introduction

This product is infrared radiant heater with remote control and IP 65 approved .It is almost unlimited used in outdoor ,such as open bars, courtyard, plaza, station, and construction site in winter etc. This patio heater is energy-efficient, convenient, environmentally friendly and for better life etc.

Important Safety Instructions

When using electrical appliances, basic safety precautions should always be followed to reduce the risk of fire, electric shock, or injury to persons, including the following:.
Read all instructions before using this heater

- This heater is hot when in use .To avoid burns,do not let bare skin touch hot surfaces.If provided ,use handles when moving this heater.Keep combustible materials,such as furniture,pillows ,bedding ,papers,clothes and curtains at least 0.9m from the front of the heater.
- Extreme caution is necessary when any heater is used by or near children or invalids and whenever the heater is left operating and unattended.
- Always unplug heater when not in use
- Do not operate any heater with a damaged cord or plug or after the heater malfunctions, has been dropped or damaged in any manner. Discard heater, or return to authorized service facility for examination and/or repair.
- This heater is not intended for use in bathrooms, laundry areas and similar locations. Never locate heater where it may fall into a bathtub or other water container.
- Do not run cord under carpeting. Do not cover cord with throw rugs, runners, or similar coverings. Do not route cord under furniture or appliances. Arrange cord away from traffic area and where it will not be tripped over.
- Connect to properly grounded outlets only.
- To disconnect heater, turn controls off, then remove plug from outlet.
- Do not insert or allow foreign objects to enter any ventilation or exhaust opening as this may cause an electric shock or fire, or damage the heater.
- To prevent a possible fire, do not block air intakes or exhaust in any manner. Do not use on soft surfaces, like a bed, where openings may become blocked.
- A heater has hot and arcing or sparking parts inside. Do not use it in areas where gasoline, paint, or flammable liquids are used or stored.
- Use this heater only as described in this manual. Any other use not recommended by the manufacturer may cause fire, electric shock, or injury to

- persons.
- Always plug heaters directly into a wall outlet/receptacle. Never use with an extension cord or relocatable power tap (outlet/power strip).
- Check if the voltage indicated on the nameplate of the appliance corresponds to the local mains voltage before you connect the appliance.
- The appliance is not located immediately below a wall socket-outlet.
- The casing and the front cover of the appliance become extremely hot during operation. Pay attention that, no combustible material due to wind or other environmental influences covers or obstructs the appliance, such as curtains, marquees, flags, plastic foil etc. Do not touch the appliance. Caution! Risk of scald injury!
- In case of improper use, there is a risk of electrical shock and/or fire hazard. Operation of the appliance must be discontinued and remove the mains plug immediately. Do not try to repair the appliance by your-self. Please contact with the service agent or a suitably qualified electrician for maintenance.
- Remove the plug from the power outlet and wait until the appliance is sufficiently cooled off before cleaning.
- Keep out of reach of children. In order to keep children from the dangers of electrical appliances, never leave them unsupervised with the machine. Consequently, when selecting the location for your machine, do so in such a way that children do not have access to the machine. Children being supervised not to play with the appliance.
- The appliance must only be mounted by an authorized specialist, paying attention to the relevant regulations of the power supply companies and the regional construction regulations.

Save These Instructions

SPECIFICATIONS

Specification	<input type="checkbox"/> PVMA2000 SLV BT <input type="checkbox"/> PVMA2000 G BT <input type="checkbox"/> PVMA2000 BLK BT
Voltage (V)	<input type="checkbox"/> 220-240V~
Power consumption (W)	<input type="checkbox"/> 2000W
Dimensions L×W×H (mm)	<input type="checkbox"/> 660.0×140.0×110.0
Weight (kg)	<input type="checkbox"/> 3.5KG
IP code	<input type="checkbox"/> IP65
Infrared receiving Angle	<input type="checkbox"/> 60°±5°

BLUETOOTH OPERATION

A free Bluetooth App is available to download for this heater for either your iPhone, iPad or Android device. The 'Sunkare Heater' App will allow you to connect remotely to many heaters and control them independently. Control functions include:

- On/Off
- Variable heat output from 25% to 100%
- Timer with auto shut off
- Password connection to heaters
- Individual heater identification and control

To download, search for 'Sunkare' in your App store and add to your device.



SUNKARE



iOS









Android

RESET OPERATION

- Press the Reset button shortly,the power will be adjusted accordingly(Low,Middle ,High,ON/OFF)
- Press the Rest button for at least 4 seconds ,the heater will restore factory settings

Remote Control Instructions

	Button	Graphic	Feature
	Up Arrow		Up one heating level
	Max		The heater goes directly to the highest heating level.
	Down Arrow		Down one heating level
	On		To switch the heater on: Press ON. The patio heater has a soft start function of 33% power. 4 seconds after the heater has been turned on, it will automatically switch to the last heating level used. In case of the first-time use, after 4seconds the heater will automatically switch to 100% power.
	Off		To switch the heater off: Press OFF. The heater will switch to standby mode(the receiver indicator will light up).

Notice :

- Use 2 pieces AAA size1.5V batteries in the remote control. Remove the battery when not use for long time, thus the lifespan of remote control can be extended.
- Choose the same specification battery when replacing the battery inside,otherwise it may cause remote control not work ,thereby affect the normal use of the heater.
- Please contact service agent for further help if you need the function.



- The remote control function may be out of work if there is a barrier between the remote control and heater .
- Replacing the batteries duly so as not to affect the normal use of heater and remote control.

Operation Instruction

- Remove all package material (including anti-vibration object of the lamp) and check the appliance, supply cord and the plug for signs of damage.
- Pay attention to the mounting place and all mounting material(dowels, screws). Ensure they are suitable and stable enough for mounting and lastingly holding of the appliance.
- Before mounting, the minimum safe mounting distances and tilt angles shown in the figures must be strictly followed.
- The distance between the bottom edge of the appliance and the floor must be at least 1.8 M. See figure 2.
- There must be a distance of at least 0.25 M between the appliance and the ceilings, roofs or other covers. See figure 2.
- There must be a distance of at least 0.5 M at each side between the appliance and walls or the like. See figure 2.
- Recommended degree to mounting surface is 45°. See figure 3.
- Pay attention that, the installation of the appliance must not add excessive wind load. (can not use fan to blow the heater or add spare part inside the heater)
- Fix the mounting bracket to the ceiling I first. Ensure that the place to be installed is secure and firm. Or connect the appliance to the stand.
- Adjust the desired angle of radiation and fest screw all screws. Check regularly the screw's connection. Mechanical bearing pressure and oscillation due to

wind or rain could lead to loose.

- Plug in the power source and operate the remote control. Then observe, whether during the first 10-15 minutes the appliance works trouble-free.
- If you do not use, please remove batteries from the socket of remote control.
- **Do not mount face down, only at 45 degree angle!**

Figure1: Mounting bracket and anchor dowels provided. Connection from the wall to the infrared heater.

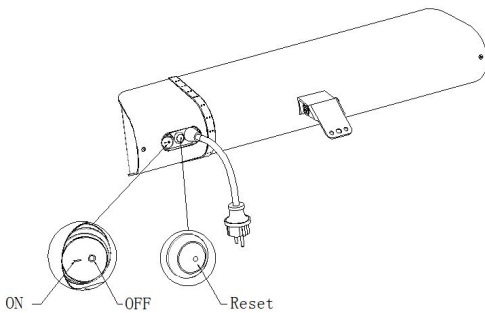


Figure2: Min. distance to floor, ceiling and wall.

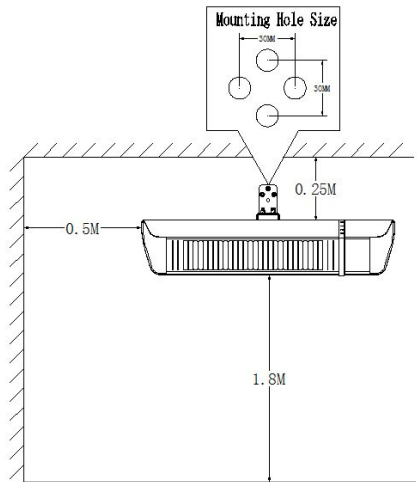
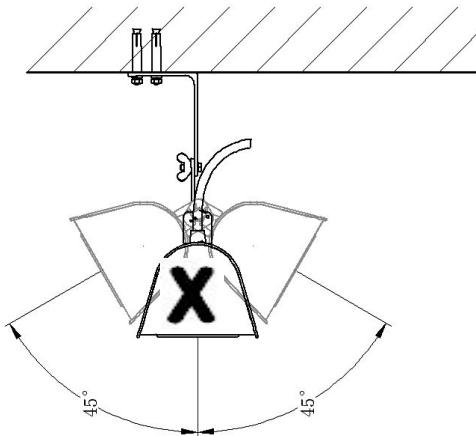
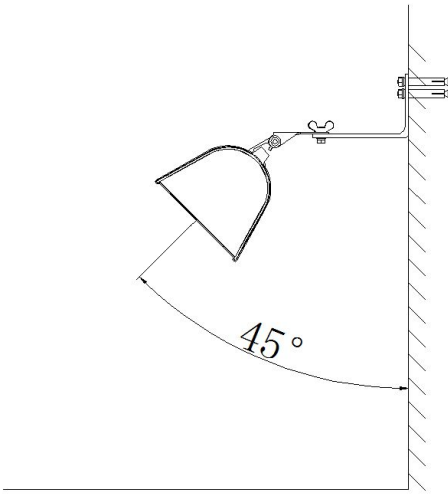


Figure3: Tilt angle.

Figure 4: Max.remote distance



X Do not mount face down,
only at 45 degree angle!


Cleaning and Maintenance

- This appliance is consist of a robust and maintenance-free aluminum casing with a protection cover. No user serviceable parts inside.
- Before cleaning,remove the plug from the power outlet and wait until the appliance is sufficiently cooled off.
- Wipe the appliance only with clean and lint-free cloth or a soft brush.
- Never use abrasive cleaners, scrubbing brushes and chemical cleaners for cleaning!
- Can use alcohol to clean the appliance.
- To protect against electrical shock and danger of life, do not immerse cord, plug, or any part of the appliance in water or other liquid.
- For heating element replacement ,please contact the manufacturer or its service agent or a similarly qualified person.
- Any other service, please contact with the service agent or a suitably qualified electrician.

Storage

Do not route cord when heater storage, or heater is not in use.

Disposal

In accordance with European Directive 2011/65/EU concerning used electrical and electronic appliances (waste electrical and electronic equipment – WEEE), please return any electrical equipment that you will no longer use to the  collection points provided for their disposal.

This symbol indicates that the appliance cannot be treated as normal domestic trash, but must be handed to a collection point for recycling electric and electronic appliances.

Information concerning where the equipment can be disposed of can be obtained from your local authority.

Customer Service

- Repairs must be carried out by authorized specialists, thus ensuring electrical safety.
- Please contact with the service agent or a suitably qualified electrician.
- Improper repairs could lead to danger to the user.
- This warranty does not cover damage of failure which results from alteration,

accident, misuse, abuse, neglect, commercial use or improper maintenance.

- In line with our policy of continuous product development we reserve the right to change the product and documentation specifications without notice.

IOS and Android APP instruction

The MATRIX can also be controlled by an app that has been downloaded to a tablet or smart-phone via a Bluetooth connection.

This app is available in the app store for Apple devices, pls search “Sunkare” and download it. It is also available for Android in the Google Play Store. In order to be able to use the app, turn on the bluetooth connection on your smartphone or tablet and select Sunkare.

With the app, you can:

- On/Off
- Variable heat output from 25% to 100%
- Timer with auto shut off
- Password connection to heaters
- Individual heater identification and control

Shock safeguard

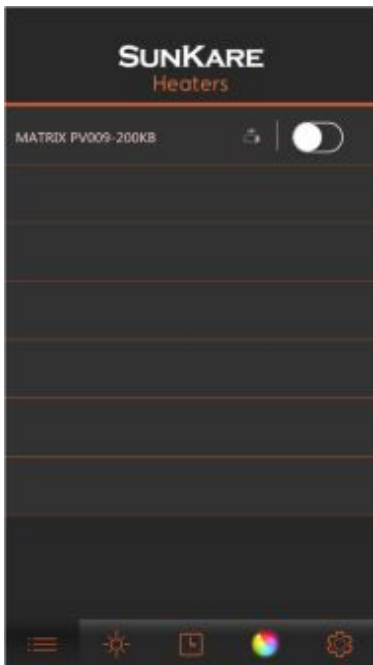
The MATRIX PV009-200KB has the option of a shock safeguard that switches the device off if it is shocked in any way. The shock safeguard can be activated with the app and the sensitivity can then be set on a sliding scale. When the device is supplied from the factory, the shock safeguard is off. Once the shock safeguard has been activated, it can be operated via the remote control or manually. If the shock safeguard has switched the device off, the red light at the reception point will blink. Check to ensure that the device has not been damaged. If everything is ok, you can restart the device by:

1. Using the remote control to switch the device off and then on again.
2. Switching it off and on again using the switch, and then selecting the desired output using the reset button (remote control)
3. Switching the device off and on again with the app.

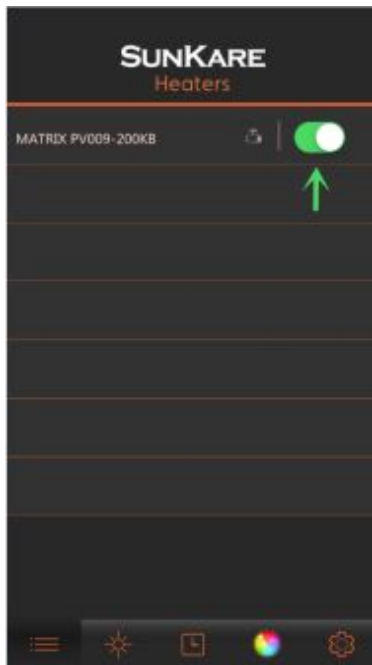
- Open the APP store or Google Play on your device.



- Download the Sunkare APP:
- Bluetooth should be switched on before using this APP.
- Switch on the heater by using the main switch on the side of unit.
- Then open the “Sunkare” APP on your device.
- For connecting the heater with the APP, please follow the steps below:



(Figure 1)



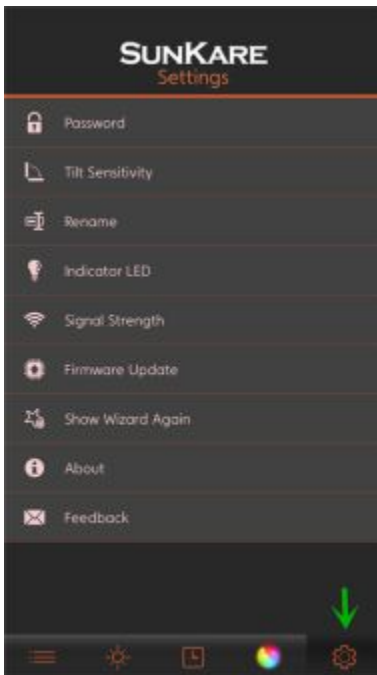
(Figure 2)

- Select the button in the below left corner of the home screen. (Figure 1)

- To Switch on the heater, please select the bar. (Figure 2)

- For the first time use of the heater, a password will be asked. The password is automatically set to: 12345678. If the password is not accepted, please press and hold the reset button on the side of the unit for 10 second. You can retry to fill in the password.

-The password can be changed, select the button in the below right corner of the home screen (Figure 3), and select “Password” to change the password. (Figure 4)



(Figure 3)



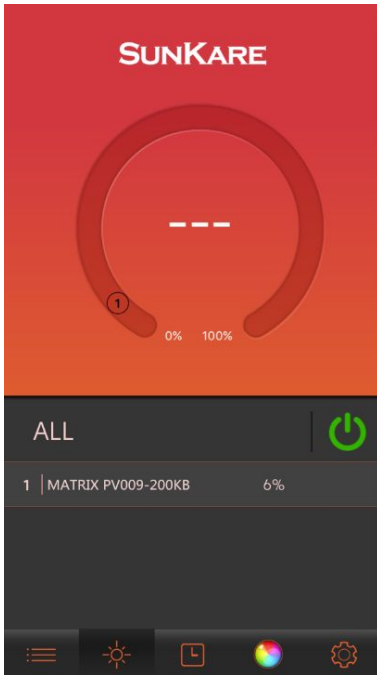
(Figure 4)

- The heater is connected and ready for use.

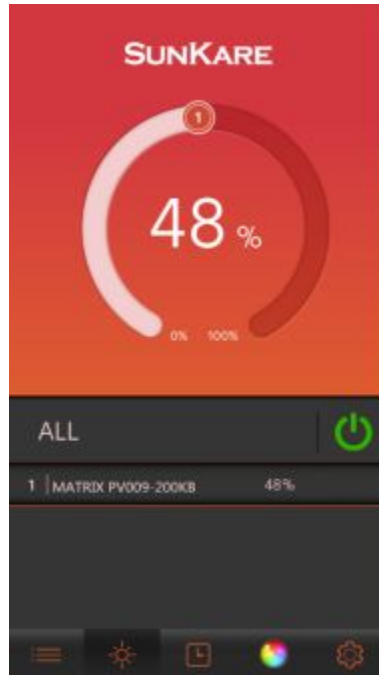
- To set the heat capacity, please select the small sun-icon below. Thereafter, below screen of Fig.5 will be showed.

- Select the heater and using the circle bar on the top of the screen you are able to set

the variable warm. (Fig. 6)

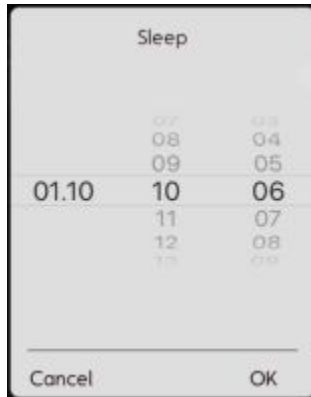
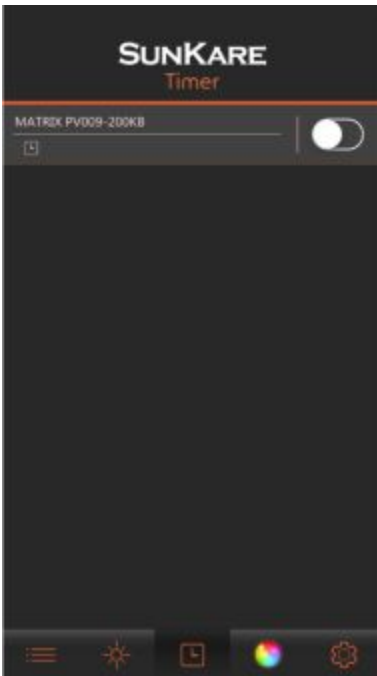


(Figure 5)



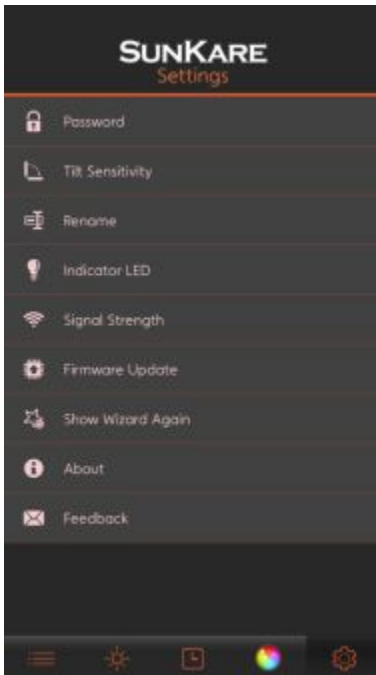
(Figure 6)

- Using the clock-icon below you are able to set the timer for automatically switch off the heater. (Fig. 7)



(Figure 7)

- In the home screen you are able to change settings by using the cog-icon in the below right corner.



- Password: Change the password.
- Tilt Sensitivity: Setting voor shock protection, please refer to the instruction manual.
- Rename: Modify or personalize the name of the heater.
- Indicator LED: Change the settings for LED indication lamp.
- Signal Strength: Check the Bluetooth signal strength.
- Firmware Update: Update the app to the latest version.
- Show Wizard Again: Show the explanation of the menu.

- About: General app information.

Warning!

When you switch off the heater by only using the remote (or APP), the heater will remain stand-by. Always switch off the heater by using the remote (or APP) as well as the main switch on the side of the unit and unplug it from the electrical outlet.

When the APP will be out of Bluetooth reach, there will be no more connection with the heater. However the heater will remain burning and the actual setting will be saved. Do not leave the heater unattended and always use the main switch on the side of the unit to switch off the heater.



Narverødveien 40, 3113 Tønsberg
Tlf: 92 49 40 78

E-post: info@providavarme.no

Web: www.providavarme.no

Nettbutikk: www.providavarmeshop.no