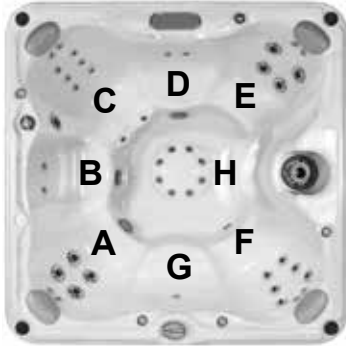


# Sundance Spas 680 McKinley™

## Specifications

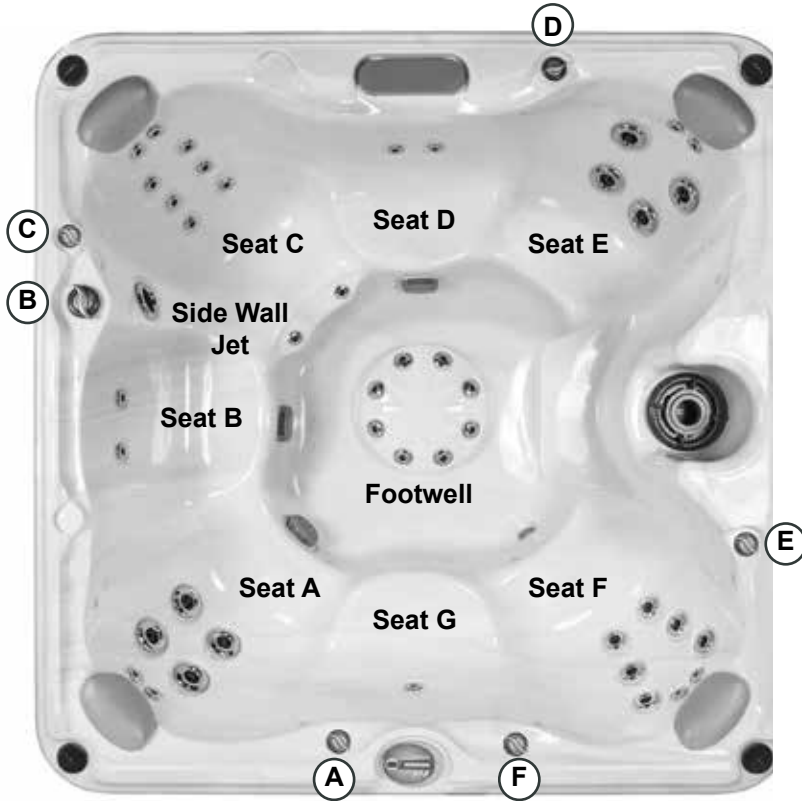
<b>Dimensions:</b> .....	89" x 89" x 36" (226 cm x 226 cm x 91.44 cm)	
<b>Seating Capacity:</b> .....	6-7 Adults	
<b>Dry Weight:</b> .....	778 lbs (353 kg)	
<b>Filled Weight (Spa Volume):</b> .....	5,115 lbs (2,320 kg)	
<b>Filled Weight (Average Fill):</b> .....	4,197 lbs (1,904 kg)	
<b>Water Capacity (Spa Volume):</b> .....	520 US Gal (1,968 Liters)	
<b>Water Capacity (Average Fill):</b> .....	410 US Gal (1,552 Liters)	
<b>Controls:</b> .....	Solid-State Electronic Controls with LCD Readout, Programmable Water Temperature, Filtration, and Heat Cycles	
<b>Water Delivery:</b> .....	2 High Flow Pumps	
<b>Pump 1:</b> .....	North America (60 Hz): 2-Speed/2.5 HP Continuous, 11.0A Max., 56 Frame <b>Export (50 Hz): 2-Speed/2.0 HP continuous, 8.0A max.</b>	
<b>Pump 2:</b> .....	North America (60 Hz): 1-Speed/2.5 HP Continuous, 10.0A Max., 56 Frame <b>Export (50 Hz): 1-Speed/2.0 HP continuous, 8.0A max.</b>	
<b>Optional Pump 3:</b> .....	<b>N/A</b>	
<b>Total Hydrojets:</b> .....	<b>44</b>	
<b>Seat A Jets:</b> .....	2 DX, 2 DVX, 2 DVR	
<b>Seat B Jets:</b> .....	2 DL	
<b>Seat C Jets:</b> .....	4 DX, 6 DL, 1 DST (Sidewall)	
<b>Seat D Jets:</b> .....	2 DL	
<b>Seat E Jets:</b> .....	2 DX, 4 DVR	
<b>Seat F Jets:</b> .....	2 DX, 6 DXL	
<b>Seat G Jet:</b> .....	1 DL	
<b>Footwell Jets (H):</b> .....	8 DL	
<b>Air Controls/Massage Selectors:</b> .....	4/1	
<b>Filter:</b> .....	50 ft <sup>2</sup> Filter Cartridge System	
<b>Water Treatment:</b> .....	Factory installed CLEARRAY® Water Purification System	
<b>Lighting:</b> .....	CL LED Lighting System (Interior Surround)	
<b>Synthetic Cabinet:</b> .....	Available in Coastal, Mahogany, Autumn Walnut	
<b>Shell Colors:</b> .....	North America: Platinum, Celestite (Gypsum), Sahara, Oyster (Opal), Copper Sand, Monaco, Midnight, Caribbean Surf, Sandstone, Porcelain <b>Export (50 Hz): All North America Colors</b>	
<b>Headrests:</b> .....	Four, 1-Piece Gray	
<b>Heater:</b> .....	North America (60 Hz): 5.5 kW, 240V High Flow Standard <b>Export (50 Hz): 2.7 kW High Flow Standard</b>	
<b>Electrical Requirements:</b> .....	240 VAC, 60 Hz@40A, 50A or 60A <b>Export (50 Hz): 230-240 VAC@1x20A, 1x16A/1x20A or 3x16A (see manual for more configurations); or Suitably Rated Circuit Breaker to Comply with Local Electrical Regulations. Certain Countries May Require 2 Power Inputs; Two GFCI/RCD Breakers are Required for This Configuration.</b>	
<b>Limited Warranty*</b> .....	North America (60 Hz): 5 Years Shell, 2 Years Shell Surface, 2 Years Equipment and Controls, 2 Years Plumbing Component Leaks, 1 Year Cabinet, 1 Year Jets, 1 Year Stereo <b>Export (50 Hz): 5 Years Shell, 2 Years Shell Surface, 2 Years Plumbing Component Leaks, 2 Years Equipment and Controls, 1 Year Cabinet, 1 Year Jets, 2 Years Stereo</b>	
<b>Waterfall Feature:</b> .....	Variable Valve Control	
<b>Audio System (Optional):</b> .....	Factory Installed BLUEWAVE® Spa Stereo System (Bluetooth®/Aux compatible only) with four speakers	
<b>Special Features (Optional):</b> .....	Factory Installed SmartTub™ module (North American only)	

\*(See Warranty Document for Specific Details)

Dimensions/Specifications Subject To Change Without Notice

# Sundance Spas 680 McKinley

## Operation/Seat Depths



- (A)** Air Control - Activates Seat A Jets (2 DX, 2 DVR, 2 DVX) + Seat B Jets (2 DL) + Side Wall Jet (1 DST) + Seat G Jet (1 DL) + Footwell Jets (2 DL)
- (B)** Massage Selector [Pump 1]- Adjusts Seat A Jets + Seat B Jets + Seat G + Side Wall Jet + 2 Footwell Jets and Seat C Jets + 2 Footwell Jets
- (C)** Air Control - Activates Seat C Jets (4 DX, 6 DL) + Footwell Jets (2 DL)
- (D)** Air Control - Activates Seat D Jets (2 DL) + Seat E Jets (2 DX, 4 DVR) + Footwell Jets (2 DL)
- (E)** Air Control - Activates Seat F Jets (2 DX, 6 DXL) + Footwell Jets (2 DL)
- (F)** Waterfall Selector [Pump 1] - Controls Waterfall Output

- Jets Pump 1: Powers Seat A Jets + Seat B Jets + Side Wall Jet + Seat C Jets + Seat G Jet + 4 Footwell Jets when running

- Jets Pump 2: Powers Seat D Jets + Seat E Jets + Seat F Jets + 4 Footwell Jets when running

### 44 Total Jets



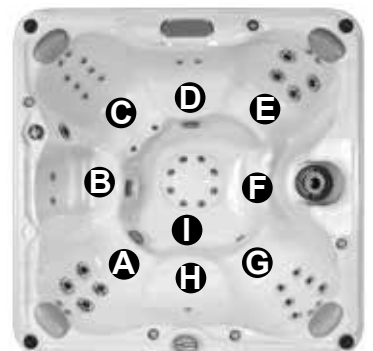
Spa Operation Subject To Change Without Notice

## SEAT DEPTHS

**A = 25.50" (64.77 cm)**  
**B = 25.00" (63.50 cm)**  
**C = 26.50" (67.31 cm)**  
**D = 22.25" (56.52 cm)**  
**E = 25.75" (65.41 cm)**  
**F = 20.50" (52.07 cm)**

**G = 26.63" (67.63 cm)**  
**H = 16.63" (42.23 cm)**  
**I = 31.50" (80.01 cm)**

Listed dimensions represent distance from top of acrylic to lowest point in seat. **Tolerance ± 0.5" (1.27 cm).**

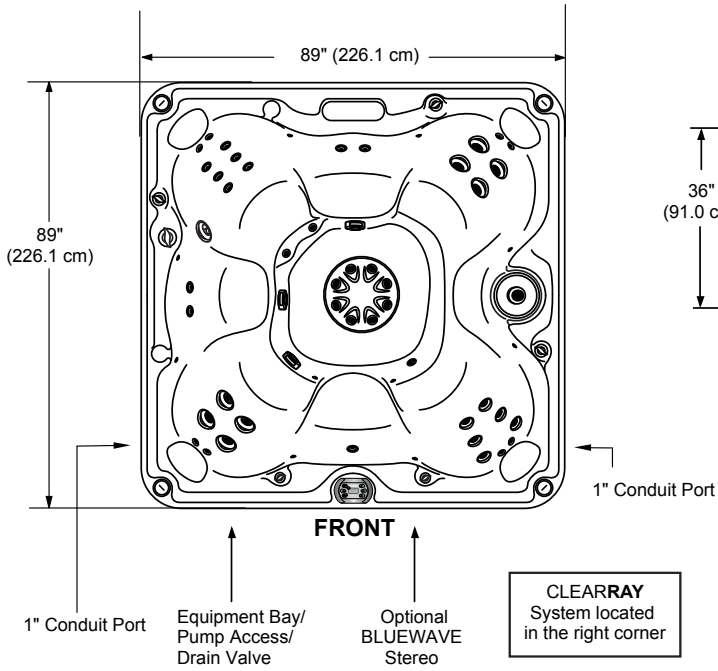


Dimensions/Specifications Subject To Change Without Notice

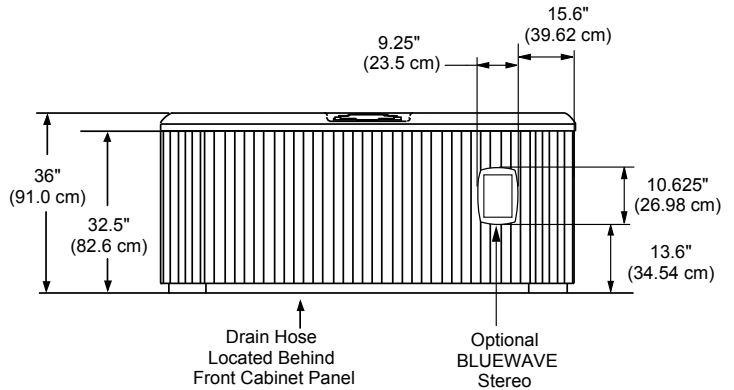
# Sundance Spas 680 McKinley

## Portable Dimensions

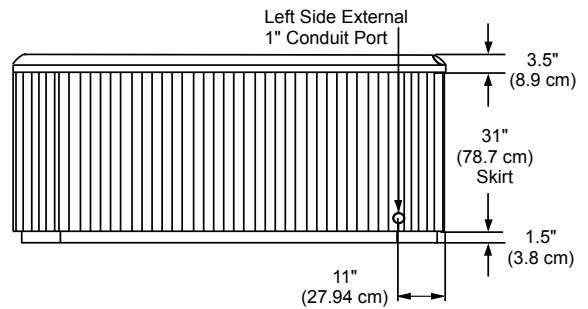
**TOP VIEW**



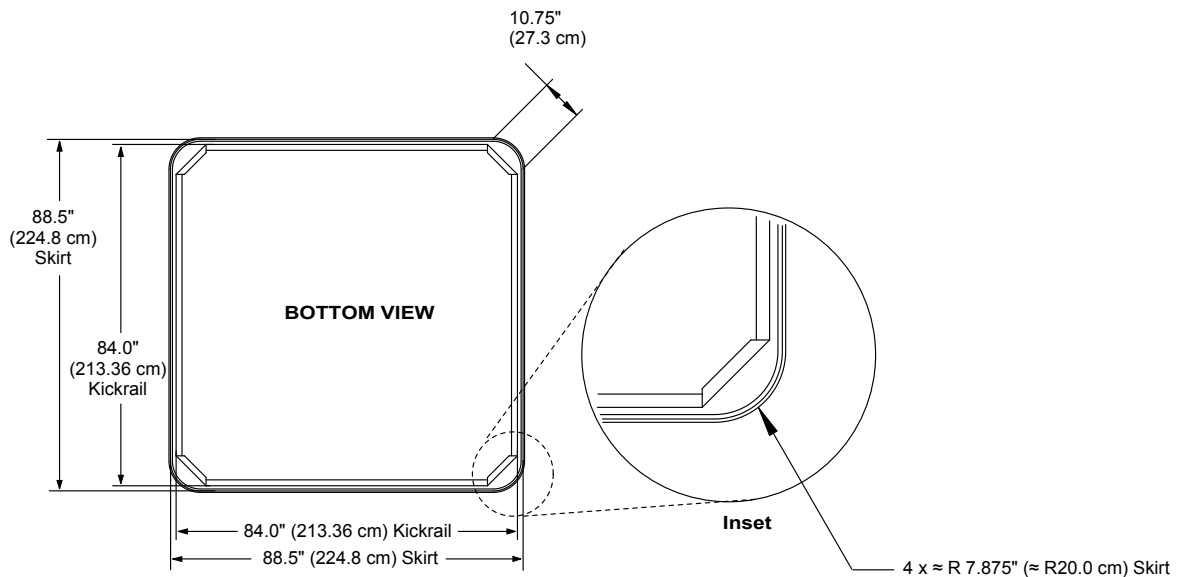
**FRONT VIEW**  
(Front view with stereo option shown)  
Tolerance:  $\pm 0.5"$  (1.27 cm)



**BACK/SIDE VIEW**  
Tolerance:  $\pm 0.5"$  (1.27 cm)



**IMPORTANT!** Always measure each hot tub for exact dimensions **BEFORE** designing its foundational support and/or decking.



Dimensions/Specifications Subject To Change Without Notice

Denne modellen kan kobles med 1-fas 230V C-sikring (treg) og 3-fas (400 volt TN-nett - se egne linjer)

**680-serien:**

<b>McKinley:</b>	For å få mest mulig glede av badet anbefaler vi høyeste kurs for optimal drift.			
	<b>Type varmeelement</b>	<b>Alternativ tilkobling</b>	<b>Funksjon</b>	<b>Kretskortinnstillinger</b>
McKinley	5,5 kW	3-fas (400 volt TN-nett) 25 amp	Varmeelement og pumper kan brukes samtidig	Se brukermanual.
McKinley	5,5 kW	40 amp eller 16 + 25 amp	Varmeelement og pumper kan brukes samtidig	Se brukermanual.
McKinley	5,5 kW	32 amp	Varmeelementet slår seg av når pumpene settes på høy hastighet. Pumpe 2 har bare høy hastighet.	Se brukermanual.
McKinley	2,7 kW	3-fas (400 volt TN-nett) 16 amp	Varmeelement og pumper kan brukes samtidig	Se brukermanual.
McKinley	2,7 kW	32 amp eller 16 + 16 amp	Varmeelement og pumper kan brukes samtidig	Se brukermanual.
McKinley	2,7 kW	20 amp	Varmeelementet slår seg av når pumpene settes på høy hastighet. Pumpe 2 har bare høy hastighet.	Se brukermanual.