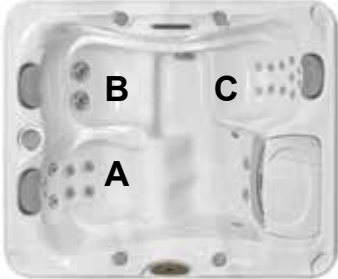


Sundance Spas 780 Dover™

Specifications

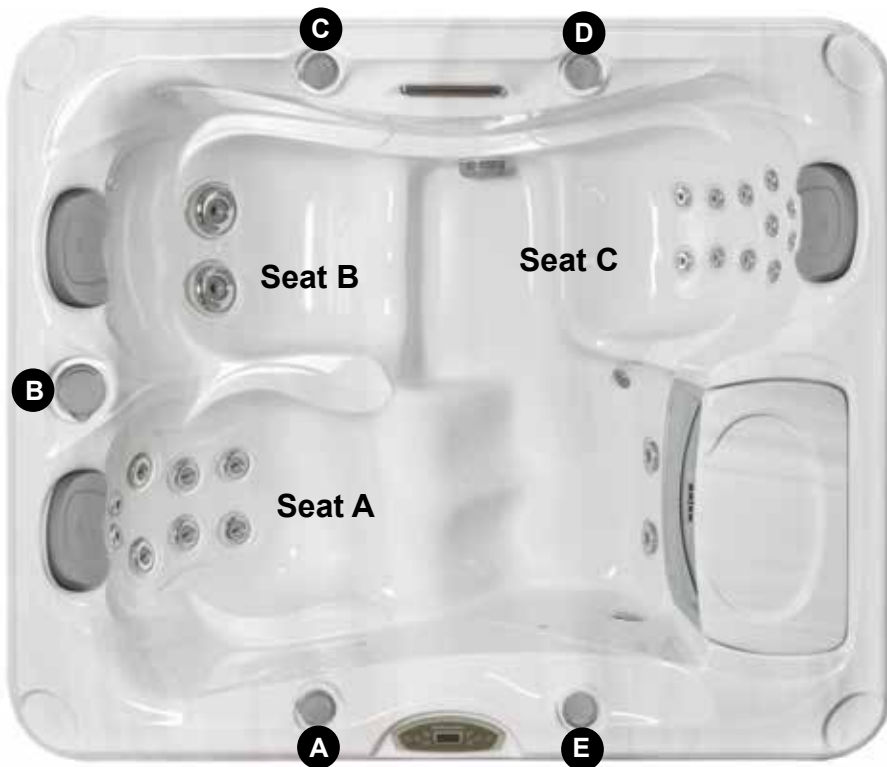
Dimensions:	69" x 82" x 30.5" (175.3 cm x 208.3 cm x 77.5 cm)	
Seating Capacity:	2-3 Adults	
Dry Weight:	620 lbs (281 kg)	
Filled Weight (Spa Volume):	3,247 lbs (1,473 kg)	
Filled Weight (Average Fill):	2,538 lbs (1,151 kg)	
Water Capacity (Spa Volume):	315 US Gal (1,192 Liters)	
Water Capacity (Average Fill):	230 US Gal (871 Liters)	
Controls:	780 Series Solid-State Electronic Controls with LED Readout, Programmable Temperature, Filtration, Heat Cycles	
Water Delivery:	1 High-flow pump	
Pump 1:	North America (60 Hz): 2-Speed/1.5 HP Continuous, 13.0A Max., 48 Frame Export (50 Hz): 2-Speed/2.0 HP Continuous, 8.0A max.	
Pump 2:	24-Hour Filter/Circulation Pump	
Total Hydrojets:	23	
Seat A Jets:	2 SMT Micro, 6 SMT Fluidix, 2 Mini Vortex	
Seat B Jets:	2 Vortex	
Seat C Jets:	2 SMT Micro, 9 Accu-Pressure	
Air Controls/Massage Selectors:	3/1 Standard air control LED lights	
Filter:	MicroClean® Filter System, 125 ft² Combined Filtration, (1 pleated and 1 spun-bound cartridge)	
Water Treatment:	24-Hour Circulation Pump; Factory installed CLEARRAY® Water Purification System	
Lighting:	Standard Multicolored SunRay LED Light; 4 LED Pin Lights; Indicator light; Air controls	
Synthetic Cabinet:	Available in Coastal, Mahogany, Autumn Walnut	
Shell Colors:	North America: Platinum, Celestite (Gypsum), Sahara, Oyster (Opal), Copper Sand, Monaco, Midnight, Caribbean Surf, Sandstone, Porcelain Export (50 Hz): All North America Colors	
Handrails:	N/A	
Headrests:	Three, 1-Piece Gray	
Heater:	North America Convertible Model (60 Hz): Low Flow, 1 kW@120 VAC or Convertible to 4 kW@240 VAC Export (50 Hz): Low flow, 2.7 kW	
Electrical Requirements:	North America Convertible Model (60 Hz): 120 VAC@15A with Supplied GFCI Cord or 240 VAC@30A or 40A (Hard Wired Only); Export (50 Hz): 230-240 VAC@1x16A or 2x16A (see manual for more configurations); or suitably Rated Circuit Breaker to Comply with Local Electrical Regulations. Certain Countries May Require Dual Power Inputs; Two GFCI/RCD Breakers are Required for This Configuration.	
Limited Warranty*:	North America (60 Hz): 10 Years Shell, 7 Years Shell Surface, 5 Years Plumbing Component Leaks, 5 Years Equipment and Controls, 5 Years Cabinet, 2 Years Jets, 2 Years Lights, 1 Year Stereo Export (50 Hz): 10 Years Shell, 7 Years Shell Surface, 5 Years Plumbing Component Leaks, 5 Years Equipment and Controls, 5 Years Cabinet, 2 Years Jets, 2 Years Lights, 2 Years Stereo	
Waterfall Feature:	On/Off Flow Rate on when pump 1 is running; Colored Lighting	
Audio System (Optional):	Factory Installed BLUEWAVE® Spa Stereo System with Wireless Remote Control, Auxiliary 3.5 mm headphone jack connection, USB connection, FM radio, Bluetooth® compatible and integrated docking station	
Special Features (Optional):	Factory Installed SmartTub™ module (North American only)	

*(See Warranty Document for Specific Details)

Dimensions/Specifications Subject To Change Without Notice

Sundance Spas 780 Dover

Operation/Seat Depths



- (A)** Air Control - Activates Seat A Jets (2 SMT Micro, 6 SMT Fluidix, 2 Mini Vortex)
- (B)** Massage Selector [Pump 1]- Adjusts Massage Level Between Seat A Jets + Seat B Jets and Seat C Jets
- (C)** Air Control - Activates Seat B Jets (2 Vortex)
- (D)** Air Control - Activates Seat C Jets (2 SMT Micro, 9 Accu-Pressure)
- (E)** Waterfall Selector [Pump 1] - Controls Waterfall Output

23 Total Jets (Stainless Steel Escutcheons Standard)

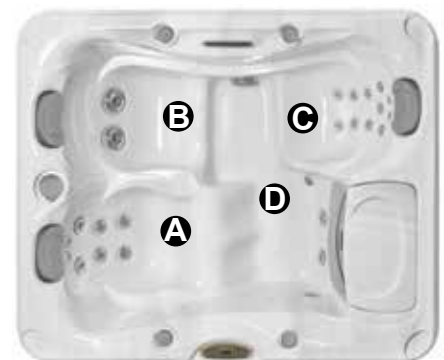


Spa Operation Subject To Change Without Notice

SEAT DEPTHS

- A = 24.50" (62.23 cm)**
- B = 26.63" (67.63 cm)**
- C = 25.75" (65.41 cm)**
- D = 26.50" (67.31 cm)**

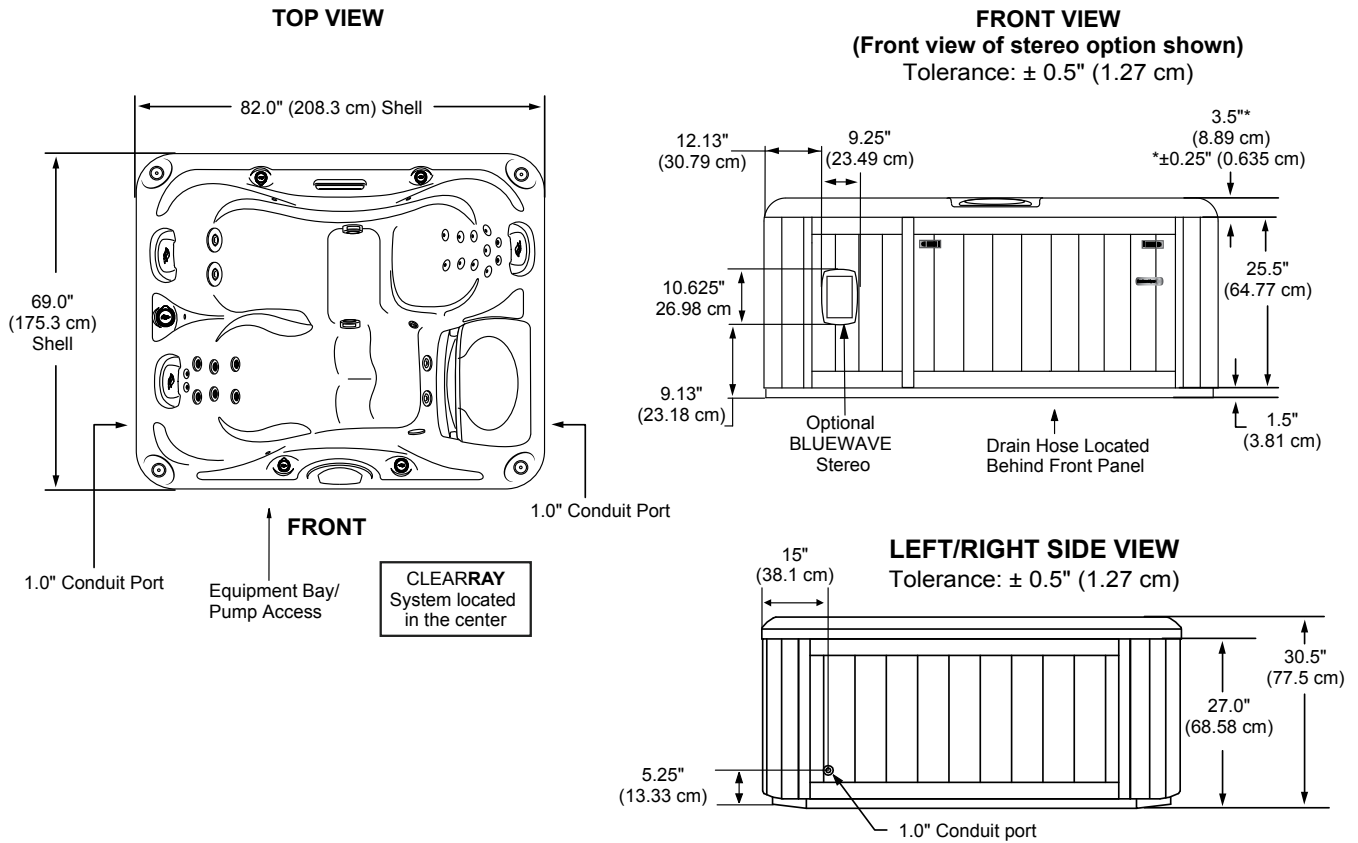
Listed dimensions represent distance from top of acrylic to lowest point in seat. **Tolerance ± 0.5" (1.27 cm).**



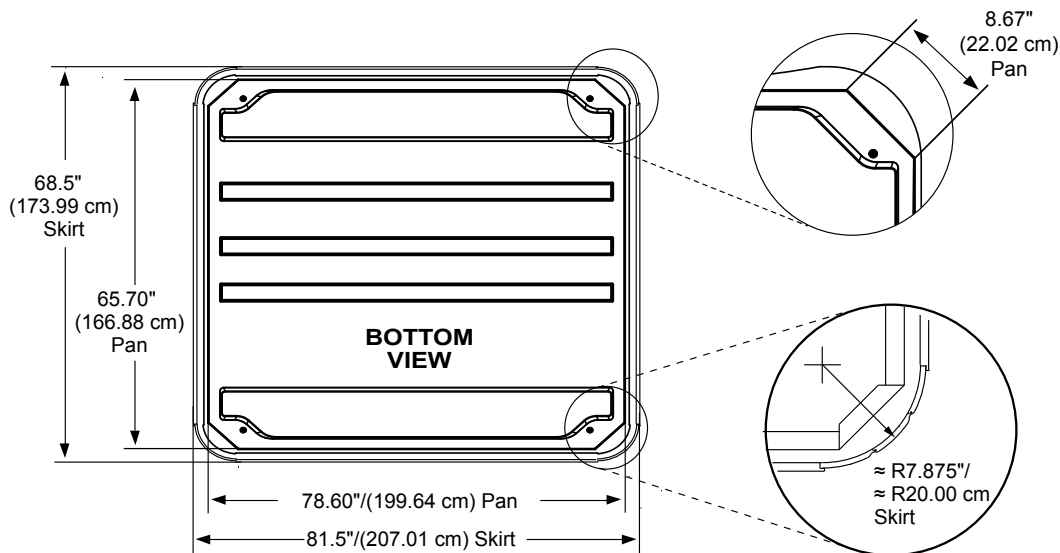
Dimensions/Specifications Subject To Change Without Notice

Sundance Spas 780 Dover

Portable Dimensions



IMPORTANT! Always measure each hot tub for exact dimensions BEFORE designing its foundational support and/or decking.



Dimensions/specifications subject to change without notice. Tolerance: $\pm 0.5"$ (1.27 cm)

Dimensions/Specifications Subject To Change Without Notice

Denne modellen kan kobles med 1-fas 230V C-sikring (treg) og 3-fas (400 volt TN-nett - se egne linjer)

780-serien:

Dover: For å få mest mulig glede av badet anbefaler vi høyeste kurs for optimal drift.				
	Type varmeelement	Alternativ tilkobling	Funksjon	Kretskortinnstillinger
Dover	5,5 kW	3-fas (400 volt TN-nett) 25 amp	Varmeelement og pumpe kan brukes samtidig	Se brukermanual.
Dover	5,5 kW	40 amp eller 16 + 25 amp	Varmeelement og pumpe kan brukes samtidig	Se brukermanual.
Dover	5,5 kW	25 amp	Varmeelementet slår seg automatisk av når pumpen startes	Se brukermanual.
Dover	2,7 kW	3-fas (400 volt TN-nett) 16 amp	Varmeelement og pumpe kan brukes samtidig	Se brukermanual.
Dover	2,7 kW	25 amp eller 16 amp + 16 amp	Varmeelement og pumpe kan brukes samtidig	Se brukermanual.
Dover	2,7 kW	16 amp	Varmeelementet slår seg automatisk av når pumpen startes	Se brukermanual.