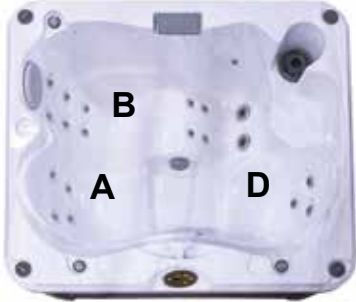


# Sundance® Spas 680 Alicia™

## Specifications

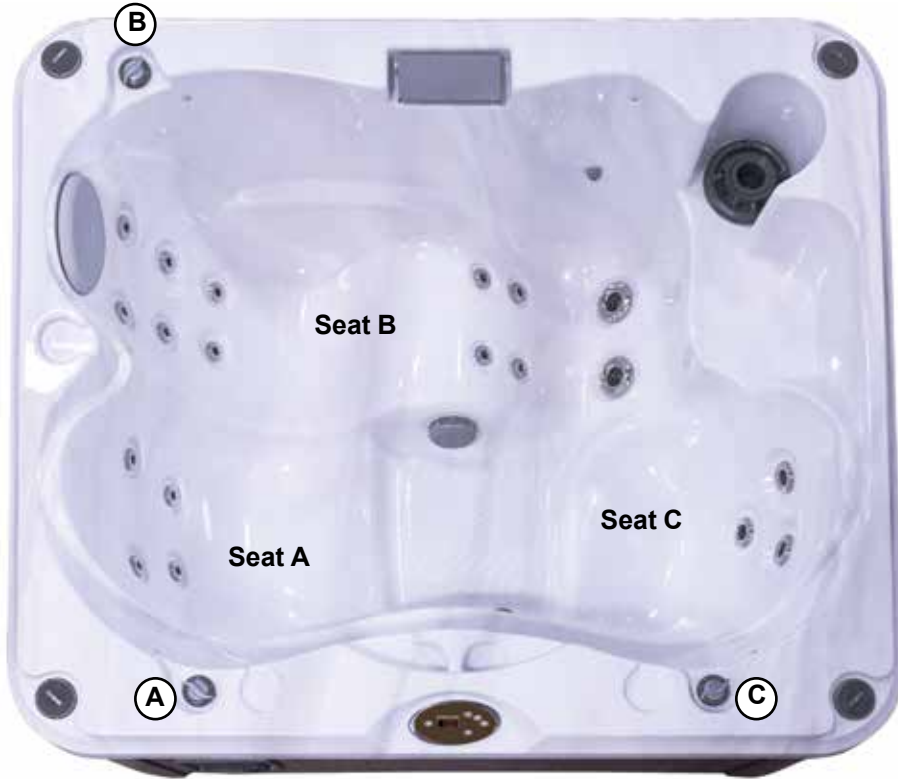
<b>Dimensions</b> .....	76" x 66" x 32" (193 cm x 168 cm x 81 cm)	
<b>Seating Capacity</b> .....	2-3 Adults	
<b>Dry Weight</b> .....	492 lbs (223 kg)	
<b>Filled Weight (Spa Volume)</b> .....	2,780 lbs (1,261 kg)	
<b>Filled Weight (Average Fill)</b> .....	2,329 lbs (1,056 kg)	
<b>Water Capacity (Spa Volume)</b> ....	274 US gallons (1,037 Liters)	
<b>Water Capacity (Average Fill)</b> ....	220 US gallons (833 Liters)	
<b>Electronic Controls</b> .....	Solid state electronic controls with LCD readout, programmable temperature, filtration, and heat cycles	
<b>Pump 1</b> .....	North America (60 Hz): 2-Speed, 2.5 HP brake, 1.5 HP continuous, 48 Frame <b>Export: (50 Hz):</b> 2-Speed, 2.0 HP continuous	
<b>Total Hydrojets:</b> .....	<b>19</b>	
<b>Seat A Jets:</b> .....	4 DX	
<b>Seat B Jet:</b> .....	6 DL, 4 DV, 2 DVR	
<b>Seat C Jets:</b> .....	3 DXL	
<b>Air Controls:</b> .....	3	
<b>Massage Selectors:</b> .....	None	
<b>Filter:</b> .....	50 ft² Filter Cartridge System	
<b>Water Treatment:</b> .....	Factory installed CLEARRAY® Water Purification System and CLEARRAY® PRO <sub>3</sub> TECT™	
<b>Lighting:</b> .....	6 LED bullet lights (4 above water; 2 underwater)	
<b>Synthetic Cabinet:</b> .....	Available in Coastal, Mahogany, Autumn Walnut	
<b>Shell Colors:</b> .....	Platinum, Celestite (Gypsum), Sahara, Monaco, Midnight, Porcelain	
<b>Headrest:</b> .....	1	
<b>Heater:</b> .....	North America (60 Hz): High Flow, 1 kW@120 VAC or Convertible to 4 kW@240 VAC; <b>Export: (50 Hz):</b> High Flow, 2.7 kW	
<b>Electrical Requirements:</b> .....	North America Convertible Model (60 Hz): 120 VAC@15A with Supplied GFCI Cord or 240 VAC@30A or 40A (Hard Wired Only); <b>Export (50 Hz): 230-240 VAC@1x20A or 2x16A (see manual for more configurations); or Suitably Rated Circuit Breaker to Comply with Local Electrical Regulations. Certain Countries May Require 2 Power Inputs; Two GFCI/RCD Breakers are Required for This Configuration.</b>	
<b>Limited Warranty*:</b> .....	North America (60 Hz): 5 Years Shell, 3 Years Shell Surface, 3 Years Plumbing Component Leaks, 3 Years Equipment and Controls, 1 Year Cabinet, 1 Year Jets, 1 Year Stereo <b>Export (50 Hz): 5 Years Shell, 3 Years Shell Surface, 3 Years Plumbing Component Leaks, 3 Years Equipment and Controls, 1 Year Cabinet, 1 Year Jets, 2 Years Stereo</b>	
<b>Waterfall Feature:</b> .....	One with ON/OFF valve	
<b>Audio System (Optional):</b> .....	N/A	
<b>Special Features (Optional):</b> .....	Factory Installed SmartTub™ module	
<b>Alternative Insulation (Option):</b> ..	Yes	

\*(See Warranty Document for Specific Details)

Dimensions/Specifications Subject To Change Without Notice

# Sundance Spas 680 Alicia

## Operation/Seat Depths



- Ⓐ Air control - Activates Seat A Jets (4 DX)
- Ⓑ Air control - Activates Seat B Jets (6 DL, 4 DV, 2 DVR)
- Ⓒ Air Control - Activates Seat C Jets (3 DXL)

• Jets Pump 1: Powers All Jets + Waterfall when running

### 19 Total Jets (Stainless Steel Escutcheons Standard)

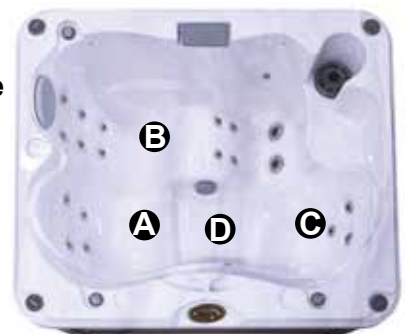


Spa Operation Subject To Change Without Notice

## SEAT DEPTHS

- A = 28.25" (71.8 cm)
- B = 27.00" (68.6 cm)
- C = 27.50" (69.9 cm)
- D = 28.70" (73.2 cm)

Listed dimensions represent distance from top of acrylic to lowest point in seat. Tolerance  $\pm 0.5"$  (1.27 cm).

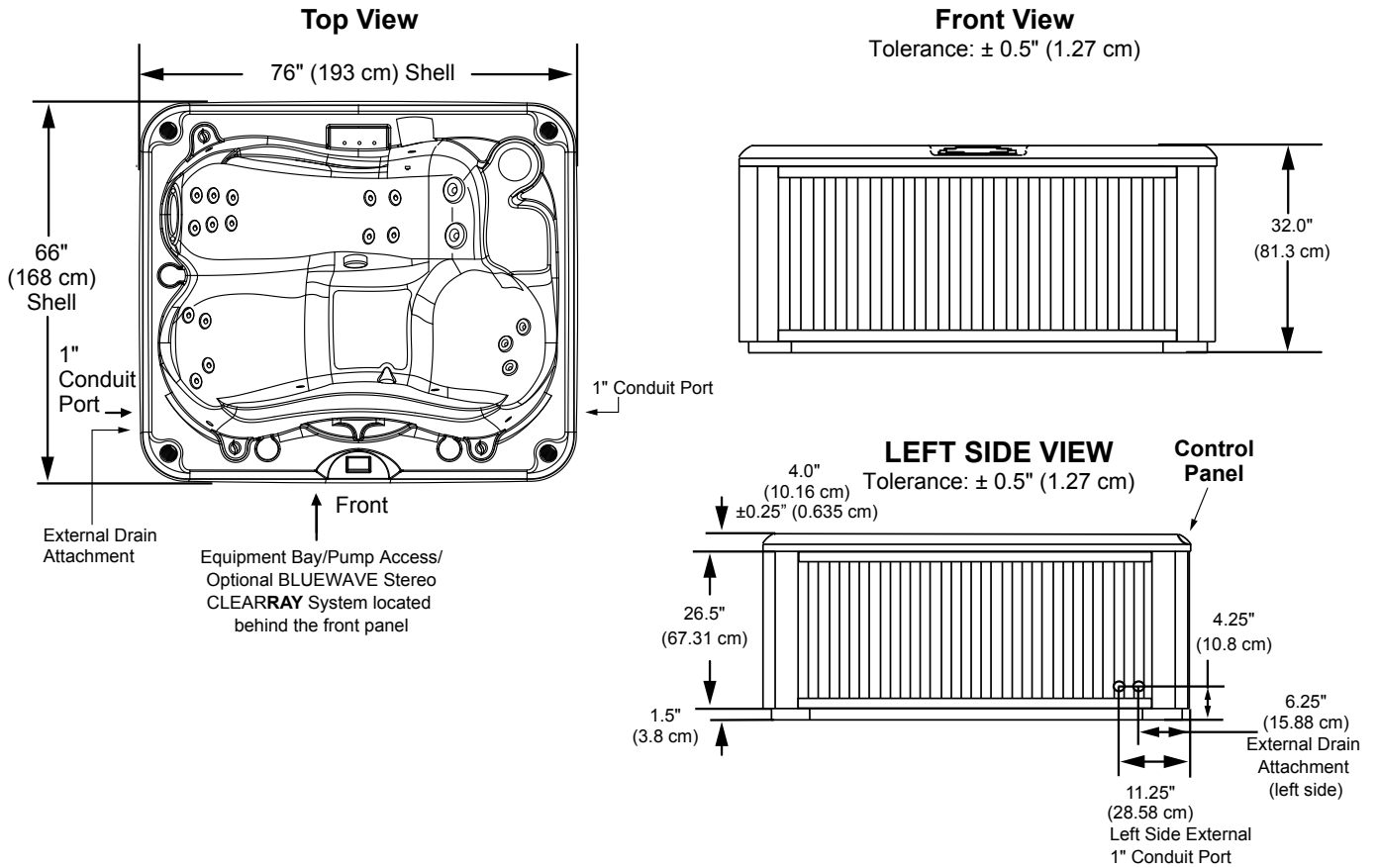


\*(See Warranty Document for Specific Details)

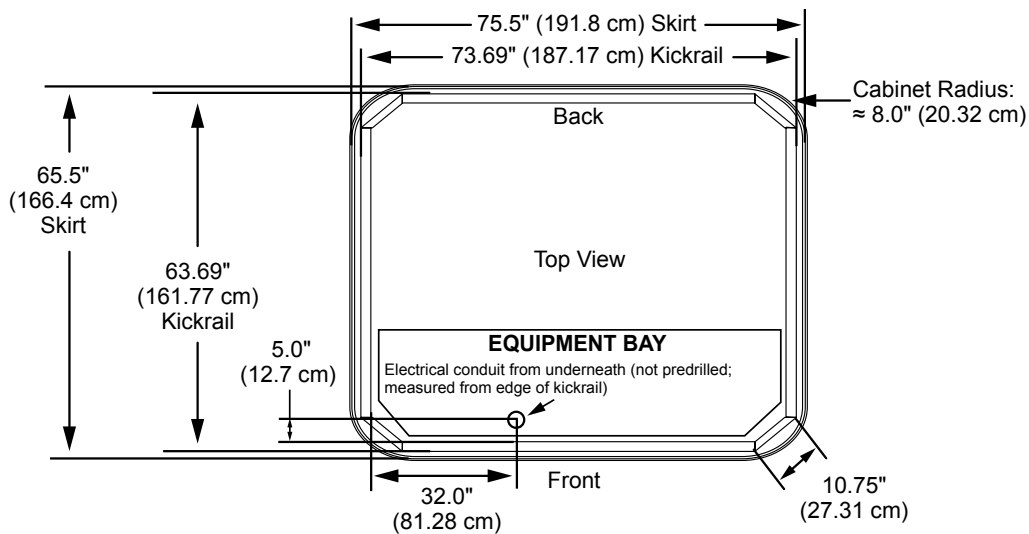
Dimensions/Specifications Subject To Change Without Notice

# Sundance Spas 680 Alicia

## Portable Dimensions



**IMPORTANT!** Always measure each hot tub for exact dimensions **BEFORE** designing its foundational support and/or decking.



**Dimensions/specifications subject to change without notice. Tolerance:  $\pm 0.5"$  (1.27 cm)**

Dimensions/Specifications Subject To Change Without Notice

Denne modellen kan kobles med 1-fas 230V C-sikring

**680-serien:**

Alicia				
For å få mest mulig glede av badet anbefaler vi høyeste kurs for optimal drift.				
	Type varmeelement	Alternativ tilkobling	Funksjon	Kretskortinnstillinger
Alicia	5,5 kW	32 amp eller 10 + 25 amp	Varmeelement og pumper kan brukes samtidig	Se brukermanual.
Alicia	2,7 kW	20 amp eller 13 + 10 amp	Varmeelement og pumper kan brukes samtidig	Se brukermanual.
Alicia	2,7 kW	20 amp	Varmeelementet slår seg av når pumpene settes på høy hastighet.	Se brukermanual.