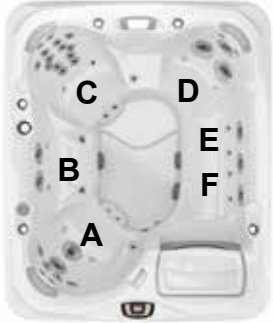


Sundance® Spas 880 Cambria™

Specifications

Dimensions:	76" x 91" x 34" (193.04 cm x 231 cm x 86.36 cm)	
Seating Capacity:	6 Adults	
Dry Weight:	772 lbs (364 kg)	
Filled Weight (Spa Volume):	4,108 lbs (1,863 kg)	
Filled Weight (Average Fill):	3,566 lbs (1,617 kg)	
Water Capacity (Spa Volume):	400 US Gal (1,514 Liters)	
Water Capacity (Average Fill):	335 US Gal (1,268 Liters)	
Controls:	880 iTouch Interface LCD Control, Displays Temperature, Time, Cycles and Jet/Air System Control. Offers Customizing of Filtration Cycles, Lighting, Water Temperature Setting and other features	
Water Delivery:	2 TheraMax High-Flow Pumps and 8-Hour Dynamic Flow Circulation System	
Pump 1:	North America (60 Hz): 1-Speed/2.5 HP Continuous, 11.3A Max., 56 Frame Export (50 Hz): 1-Speed/2.0 HP Continuous, 7.0A Max.	
Pump 2:	North America (60 Hz): 1-Speed/2.5 HP Continuous, 11.3A Max., 56 Frame Export (50 Hz): 1-Speed/2.0 HP Continuous, 7.0A Max.	
Pump 3:	High Output Dynamic Flow, 8-Hour Filter/Circulation Pump (35 gpm) Programmable for Daily Start Time and Duration	
Total Hydrojets:	46	
Seat A Jets:	2 Fluidix Nex, 4 Fluidix ST, 2 Pulsator, 2 Vortex, 2 Focus-Relief®	
Seat B Jets:	2 Vortex, 2 Focus Relief	
Seat C Jets:	2 Fluidix Nex, 12 Fluidix ST, 2 Pulsator, 2 Accu-Pressure	
Seat D Jets:	2 Fluidix Nex, 1 Vortex, 2 Fluidix Intelli-Jet	
Seat E Jets:	1 Vortex, 2 Focus Relief	
Seat F Jets:	2 Vortex, 2 Focus Relief	
Air Blower:	High-Efficiency, 1-Speed	
Aromatherapy Delivery:	6 Air Injector Jets with Quiet High Speed Air Pump	
Air Controls/Massage Selectors:	4/1 (Standard air control with LED lights and massage selector with LED lights)	
Filter:	MicroClean® Ultra Filtration System, 130 ft ² (2 interlocking cartridge filters)	
Water Treatment:	Automatic Brominator and Dynamic Flow Circulation System; Factory installed CLEARARRAY® Water Purification System and CLEARARRAY® PRO ₃ TECT™	
Lighting:	Multi-Colored LED Lighting System (1 Waterfall, 1 Main Light, 4 Air controls, 1 Massage Selector, Exterior lights)	
Skirt Cabinet (SunSide™):	Modern Hardwood, Brushed Gray and Vintage Oak (Equipped with Standard Exterior Lights)	
Shell Colors:	North America: Platinum, Celestite (Gypsum), Sahara, Monaco, Midnight, Porcelain Export (50 Hz): All North America Colors	
Handrails:	One Integral	
Headrests:	Three, 1-Piece Gray	
Heater:	North America (60 Hz): Low Flow 5.5 kW with Titanium Element Export (50 Hz): Low Flow 2.7 kW with Titanium Element	
Electrical Requirements:	North America (60 Hz): 240 VAC@40A, 50A or 60A; Export (50 Hz): 230-240 VAC@1x40A or 1x16A/1x32A, 1x20A/1x16A, 3x16A (see manual for more configurations); or Suitably Rated Circuit Breaker to Comply with Local Electrical Regulations. Certain Countries May Require 2 Power Inputs; Two GFCI/RCD Breakers are Required for This Configuration.	
Limited Warranty*:	North America (60 Hz): 10 Years Shell, 7 Years Shell Surface, 5 Years Plumbing Component Leaks, 5 Years Equipment and Controls, 5 Years Cabinet, 5 Years Jets, 2 Years Lights, 1 Year Stereo Export (50 Hz): 10 Years Shell, 7 Years Shell Surface, 5 Years Plumbing Component Leaks, 5 Years Equipment and Controls, 5 Years Cabinet, 5 Years Jets, 2 Years Lights, 2 Years Stereo	
Waterfall Feature:	Adjustable Flow Rate; Colored Lighting	
Audio System (Optional):	Factory Installed BLUEWAVE® 2.0 Wireless Spa Stereo System with Auxiliary 3.5 mm headphone jack connection, Bluetooth® compatible, 4 premium speakers and a powered subwoofer	
Special Features:	MicroClean® Plus Versatile Filter Lid, Optional Filter Lid Pillow seat, Optional (Factory Installed) SmartTub™ Module	

*(See Warranty Document for Specific Details)

Dimensions/Specifications Subject To Change Without Notice

Sundance Spas 880 Cambria

Operation/Seat Depths

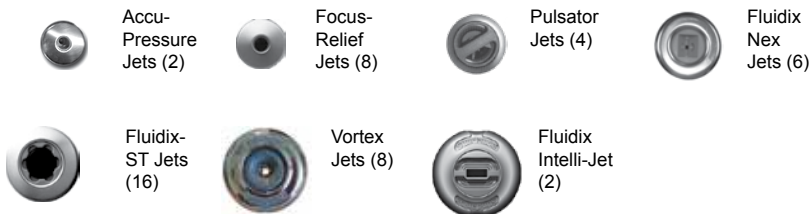


- (A) Air Control - Activates Seat A Jets (2 Fluidix Nex, 4 Fluidix ST, 2 Pulsator, 2 Vortex)
- (B) Massage Selector [Pump 1] - Adjusts Massage Level Between Seat A Jets and Seat C Jets
- (C) Air Control - Activates Seat C Upper 8 Jets (2 Fluidix Nex, 6 Fluidix ST)
- (D) Air Control - Activates Seat C Lower 10 Jets (6 Fluidix ST, 2 Pulsator, 2 Accu-Pressure)
- (E) Waterfall Selector [8-Hour Circ. Pump] - Controls Waterfall Output
- (F) Air Control - Activates Seat D Jets (2 Fluidix Nex, 1 Vortex, 2 Fluidix Intelli-Jet) + Seat E Jets (2 Vortex) + Seat F Jets (2 Vortex)
- (G) Sunscents Dispenser

- Jets Pump 2: Seat B Jets + Seat D Jets + Seat E Jets + Seat F Jets are always on when this pump is running
- Focus-Relief Jets: Work with both the blower and Jets Pump 2. The blower introduces air to the jet and the Jets Pump forces water through.

Filter Lid is shown with aftermarket seat pillow

46 Total Jets



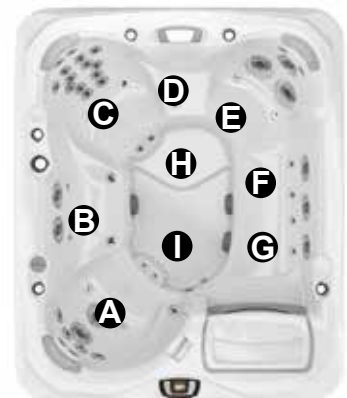
Spa Operation Subject To Change Without Notice

SEAT DEPTHS

- A = 26.50" (67.31 cm)
- B = 22.50" (57.15 cm)
- C = 27.50" (69.85 cm)
- D = 22.00" (55.88 cm)
- E = 25.50" (64.77 cm)
- F = 22.50" (57.15 cm)

- G = 22.75" (57.78 cm)
- H = 29.25" (74.29 cm)
- I = 31.00" (78.74 cm)

Listed dimensions represent distance from top of acrylic to lowest point in seat. Tolerance $\pm 0.5"$ (1.27 cm).

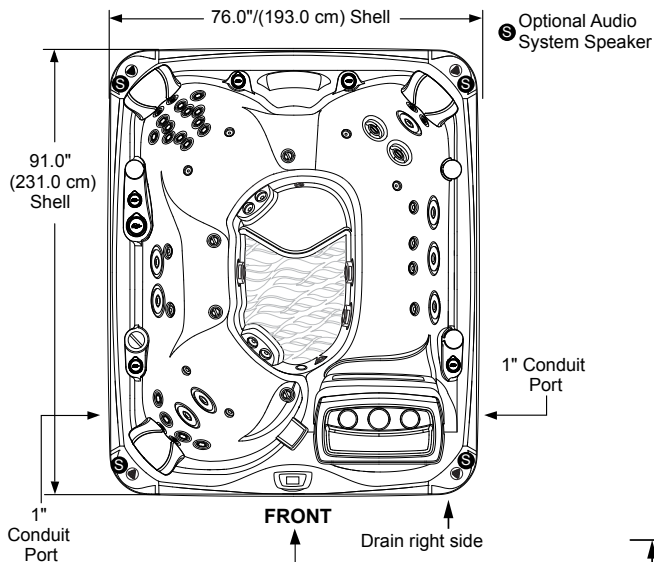


Dimensions/Specifications Subject To Change Without Notice

Sundance Spas 880 Cambria

Portable Dimensions

TOP VIEW

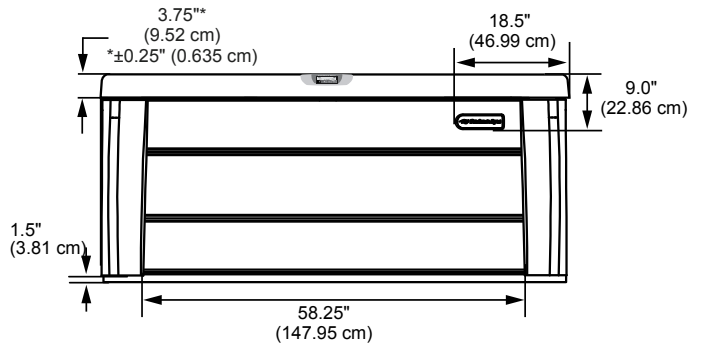


Equipment Bay/Pump Access
CLEARRAY, Optional BLUEWAVE,
and Optional SmartTub Module
behind skirt panels

NOTE: Over time the panel(s) may bow, this is considered normal. The panels will straighten out when reinstalled into the mounting channel. Place one end of the panel into the channel first then flatten the panel and insert the other end.

FRONT/BACK VIEW

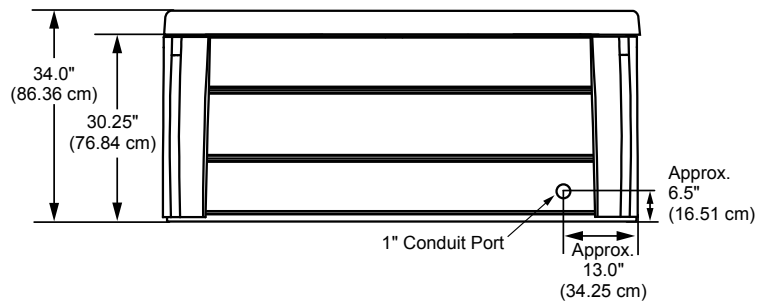
Tolerance: $\pm 0.5"$ (1.27 cm)



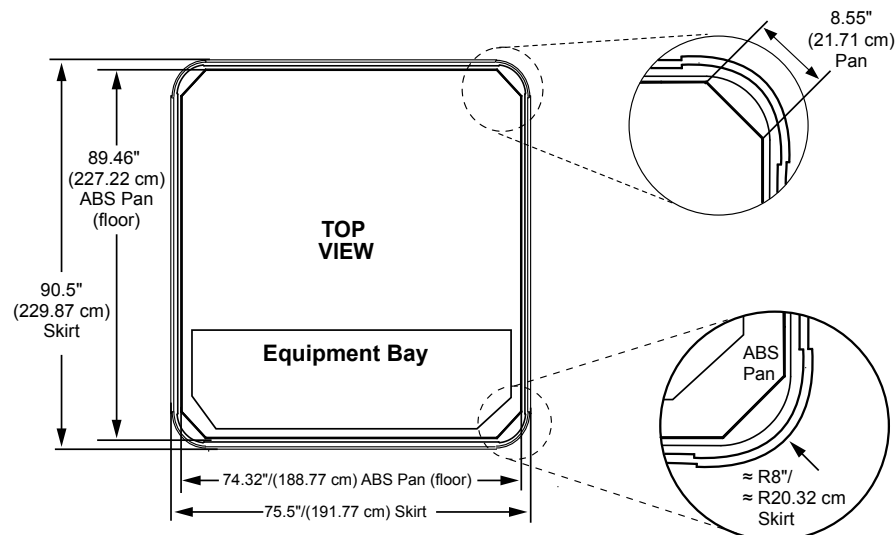
LEFT/RIGHT SIDE VIEW

(Left Side View Shown)

Tolerance: $\pm 0.5"$ (1.27 cm)




IMPORTANT! Always measure each hot tub for exact dimensions BEFORE designing its foundational support and/or decking.

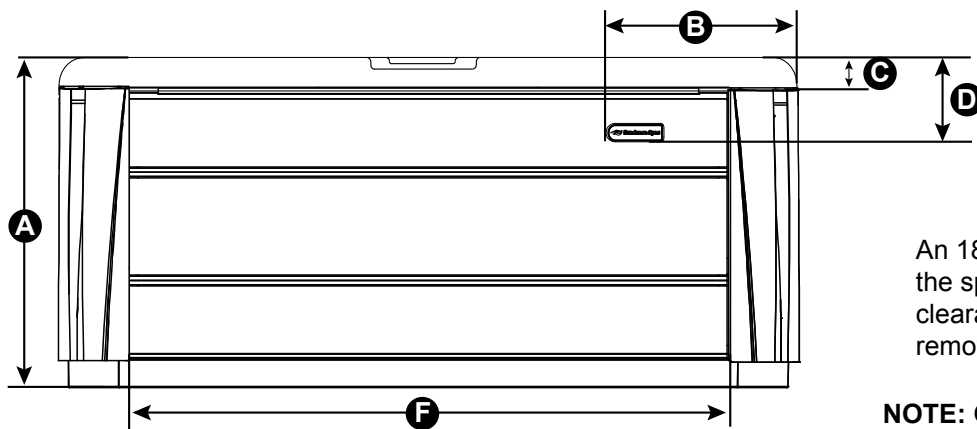


Dimensions/specifications subject to change without notice. Tolerance: $\pm 0.5"$ (1.27 cm)

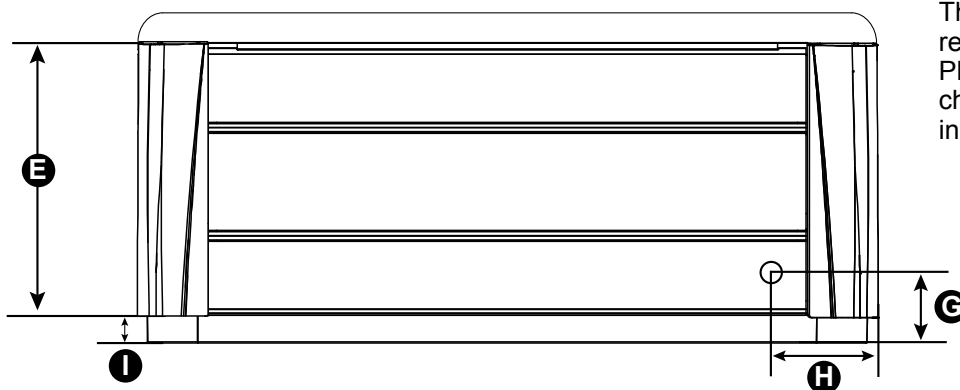
Dimensions/Specifications Subject To Change Without Notice

SunSide Dimensions

Spa Models	DIMENSIONS A-F (All measurements are an approximate)					
	A	B	C* *±0.25" (0.635 cm)	D	E	F
Maxxus	41.5" (105.41 cm)	18.5" (46.99 cm)	5.5" (13.97 cm)	12.0" (30.48 cm)	32.5" (82.55 cm)	73.5" (186.69 cm)
Aspen						
Optima	37.5" (95.25 cm)		3.75" (9.53 cm)	8.0" (20.32 cm)	32.25" (81.92 cm)	71.5" (181.61 cm)
Cameo						
Altamar						
Cambria	34" (86.36 cm)		7.5" (19.05 cm)	28.75" (73.03 cm)	58.25" (147.95 cm)	
Marin						
Capri	30.5" (77.47 cm)	18" (45.72 cm)	3.5" (8.89 cm)	9.5" (24.13 cm)	25.5" (64.77 cm)	64.25" (163.19 cm)
DIMENSIONS G-I (All measurements are an approximate)						
	G	H	I	 <p>IMPORTANT! Always measure each hot tub for exact dimensions BEFORE designing its foundation support and/or decking.</p>		
Maxxus	8.0" (20.32 cm)	13.0" (33.02 cm)	3.5" (8.89 cm)			
Aspen						
Optima	7.0" (17.78 cm)	13.5" (34.29 cm)	1.5" (3.81 cm)			
Cameo						
Altamar						
Cambria	6.5" (16.51 cm)	13.0" (33.02 cm)	1.5" (3.81 cm)			
Marin						
Capri	4.0" (10.16 cm)	14.5" (36.86 cm)	1.5" (3.81 cm)			
- Dimensions Subject to Change Without Notice - Tolerance: ± 0.5" (1.27 cm)						



An 18" clearance, all around the spa, is recommended. This clearance is needed for panel removal or when servicing.



NOTE: Over time the panel(s) may bow, this is considered normal. The panels will straighten out when reinstalled into the mounting channel. Place one end of the panel into the channel first then flatten the panel and insert the other end.

Tolerance: ± 0.5" (1.27 cm)

Denne modellen kan kobles med 1-fas 230V C-sikring (treg) og 3-fas (400 volt TN-nett - se egne linjer)

880-serien:

Cambria: For å få mest mulig glede av badet anbefaler vi høyeste kurs for optimal drift.				
	Type varmeelement	Alternativ tilkobling	Funksjon	Kretskortinnstillinger
Cambria	5,5 kW	3-fas (400 volt TN-nett) 25 amp	Varmeelement og pumper kan brukes samtidig	Se brukermanual.
Cambria	5,5 kW	40 amp eller 20 + 25 amp	Varmeelement og pumper kan brukes samtidig	Se brukermanual.
Cambria	5,5 kW	25 amp	Alle pumper kan brukes samtidig. Varmeelementet slår seg automatisk av når pumpene startes.	Se brukermanual.
Cambria	2,7 kW	3-fas (400 volt TN-nett) 16 amp	Varmeelement og pumper kan brukes samtidig	Se brukermanual.
Cambria	2,7 kW	32 amp eller 16 + 20 amp	Varmeelement og pumper kan brukes samtidig	Se brukermanual.
Cambria	2,7 kW	20 amp	Alle pumper kan brukes samtidig. Varmeelementet slår seg automatisk av når en av pumpene startes.	Se brukermanual.