

A

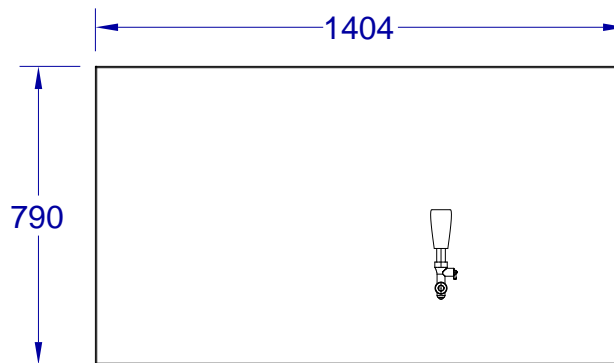
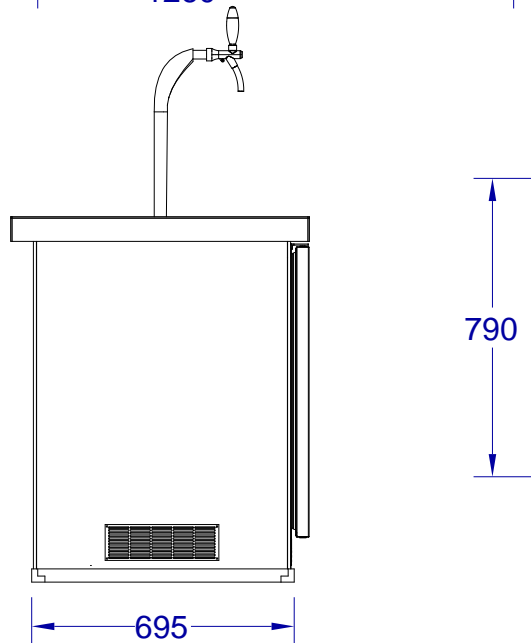
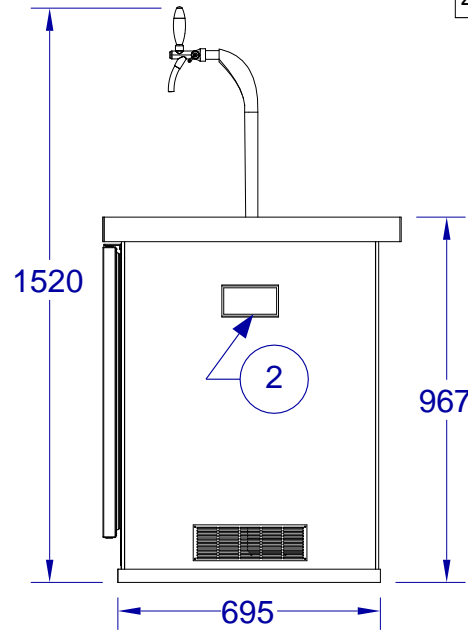
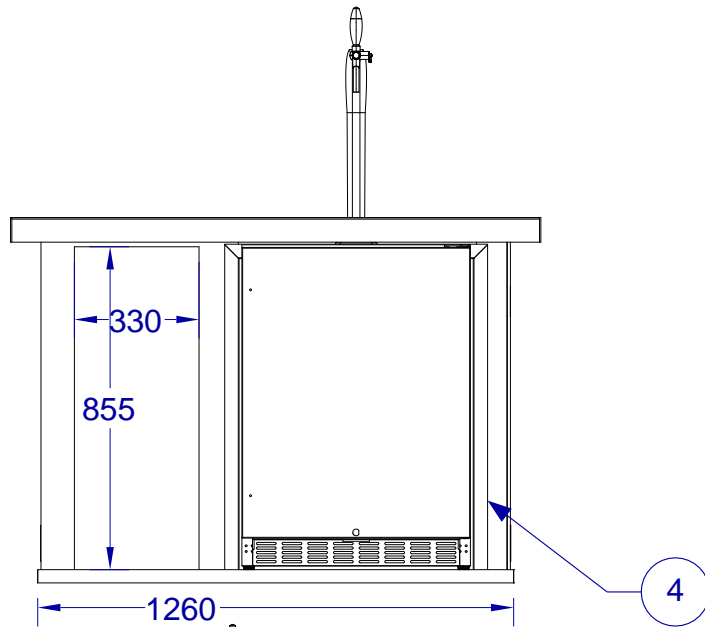
B

C

D

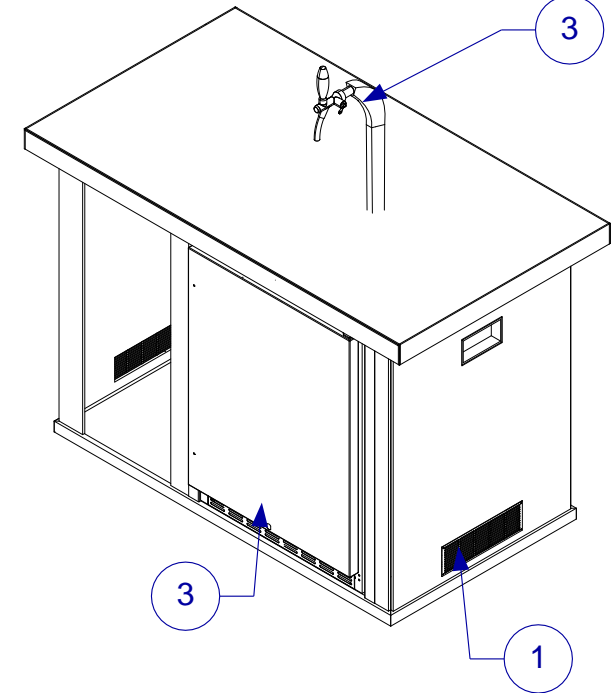
E

F



REVISION HISTORY

ZONE	REV	DESCRIPTION	DATE	APPROVED
------	-----	-------------	------	----------



Item No.	Part Number	Qty	Description
1	#NAV 95X301	2	NEW AIR VENT
2	69739 box	1	ELECTRICAL BOX
3	#17900	1	SINGLE TAP KEGAROTOR
4	KEG FRM	1	KEGAROTOR FRAME

A4



ISO E

IronCAD
2D drawing
3D file availableScale:
1:20General
Tolerances acc to:
ISO 2768-1
medium

File Name:

LAYOUT KEG ICE-DDC76-LWFPO-
KEG-WD-DT KEGERATOR 2.icdLast saved:
23/02/2018 19:04Drawn by:
...Checked by:
...Approved by:
...

Created Date:



Description

KEGERATOR-ICE

Sheet No: Rev.
1 (1) ...Doc. No:
KEIC